

# CATSKILL

C R A F T S M E N , I N C .

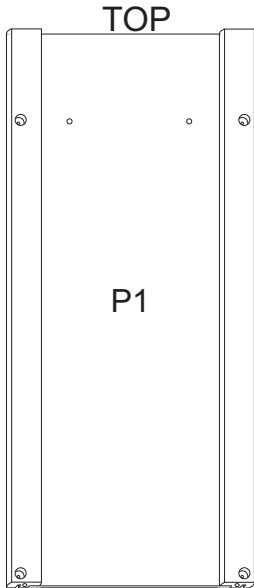
## **Assembly Instructions** **Model 1580** **Deluxe Wine Island with Drop Leaf**



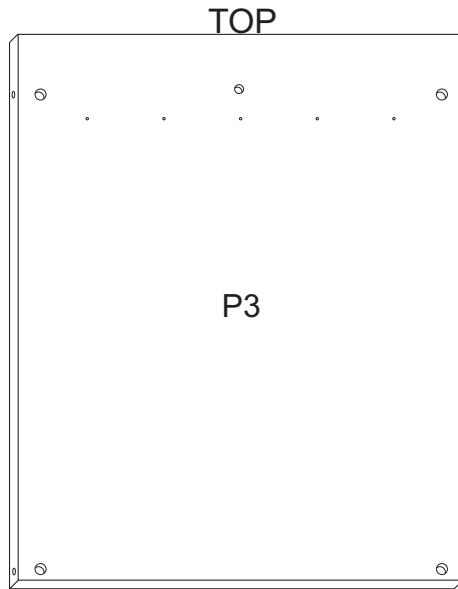
### **GENERAL:**

1. You have purchased model 1580. Overall dimensions of an assembled unit is 33" wide x 27.5" deep (with drop leaf up) x 34.5" high. This cart is made of the finest Northeastern Hardwood and matching veneer.
2. Should you need assistance or need to replace a damaged or missing part, **DO NOT RETURN THE UNIT TO THE STORE** where you purchased it, simply give us a call at 607-652-7321 from 7:30 - 4:00 PM Eastern time and we'll send you the prepaid part via UPS usually that same day! Please have model number and part description ready when you call. You can also make a parts request on our website: [www.catskillcraftsmen.com/customer\\_service](http://www.catskillcraftsmen.com/customer_service)
3. Read the assembly instructions and the enclosed brochure before beginning assembly. Assembly is very easy if you read and follow the instructions step by step.
4. Tools required: Phillips screwdrivers, medium and small; medium flat blade screwdriver and hammer.

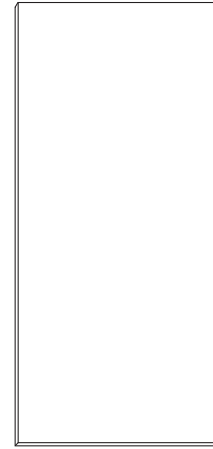
# CABINET PARTS



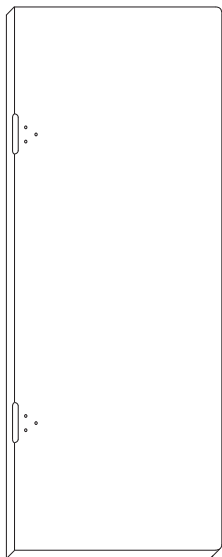
Handle Side Panel (2)



Back Panel (1)



Drawer Bottom (1)



Drop Leaf (1)

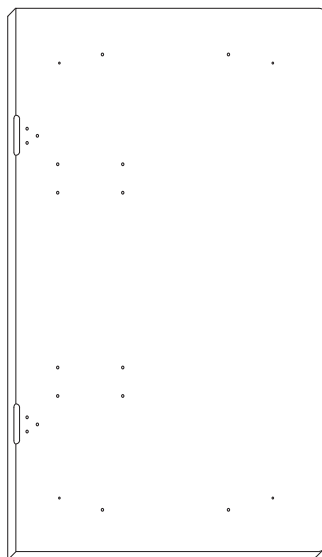
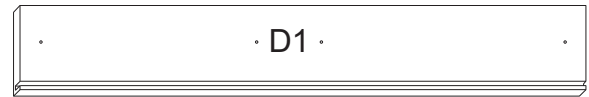


Table Top (1)



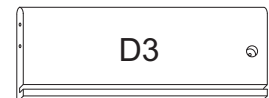
Drawer Front (1)



Drawer Back (1)



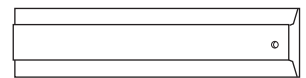
Drawer Side Left (1)



Drawer Side Right (1)



Table Top Stick (2)



Stemware Holder (5)



Drawer Dowel (1)



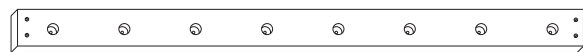
Bottom Brace (1)



Top Brace (1)



Wine Rack Front Brace (3)



Wine Rack Back Brace (3)



Wine Rack Dowel (24)



Wine Rack Side Brace (6)

# CABINET HARDWARE



1-3/4" Phillips Flat Head Machine Screw (8)



1-1/2" Phillips Flat Head #8 Screw (2)



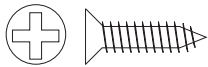
1-1/4" Phillips Flat Head #8 Screw (24)



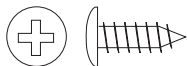
1" Phillips Flat Head #8 Screw (5)



1" Truss Head Machine Screw (2)



5/8" Phillips Flat Head #8 Screw (20)



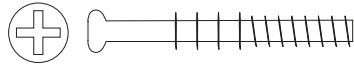
3/8" Pan Head #8 Screw (30)



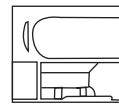
3/4" Long 3/16" DIA. Steel Pin (9)



Bastion Post (6)



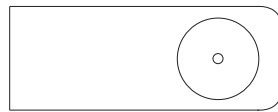
Cam Posts (2)



Cam (2)



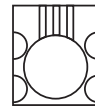
10-24 Hex Nut (8)



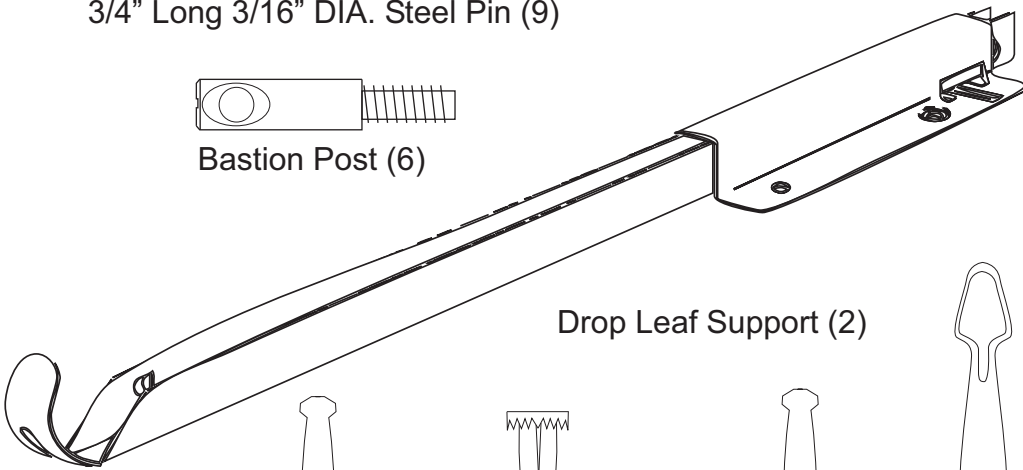
Towel Bar Post (4)



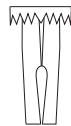
Bastion Set Screw (6)



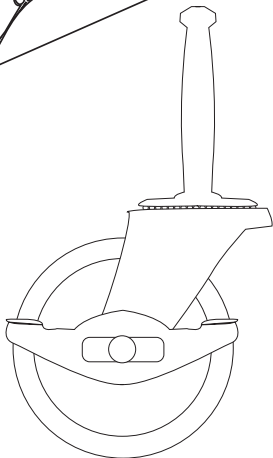
Bastion Barrel Nut (6)



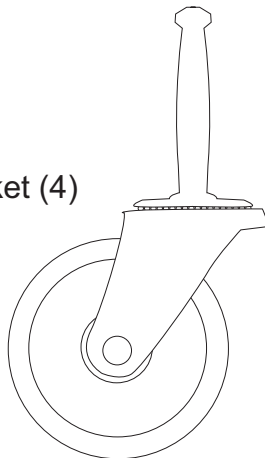
Drop Leaf Support (2)



Caster Socket (4)



Locking Wheel Caster (2)



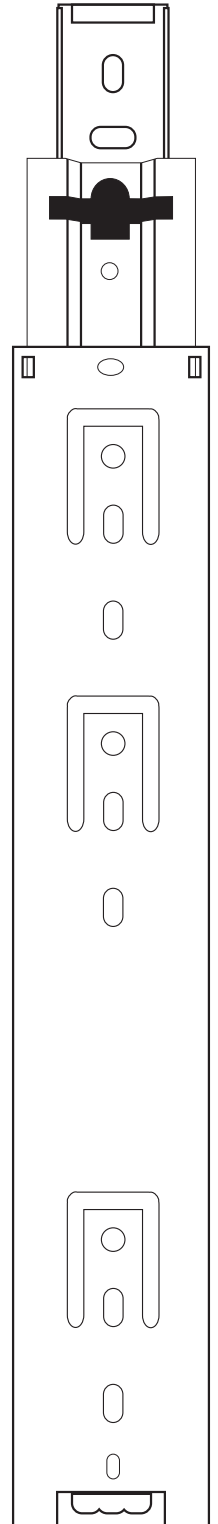
Non-Locking Wheel Caster (2)



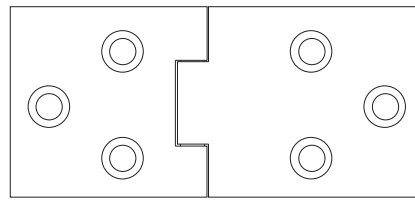
Nickel Handle (1)



Polished Nickel Towel Bar (2)



Full Extension Wine Rack Glides (6)



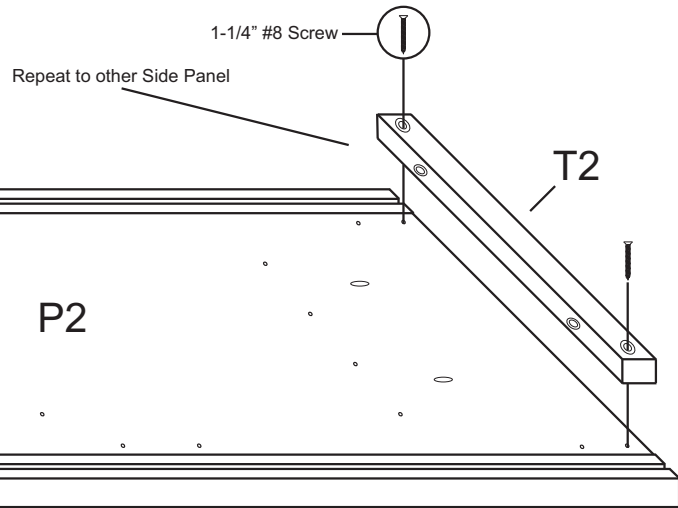
Hinge (2)





5/8" Wooden Plug (8)

# STEP 1

Attach TableTop Support Stick to the side Panel using 1-1/4" Phillips flat head #8 screws. Make sure the counter sunk holes face out and down on the support stick when assembling. Repeat for other side panel.



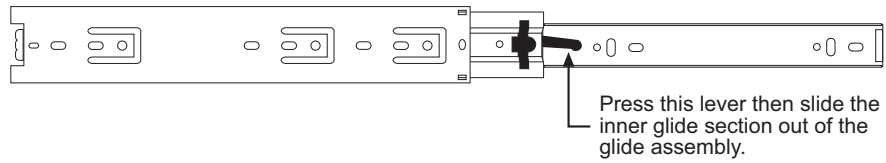



4 Used in this step

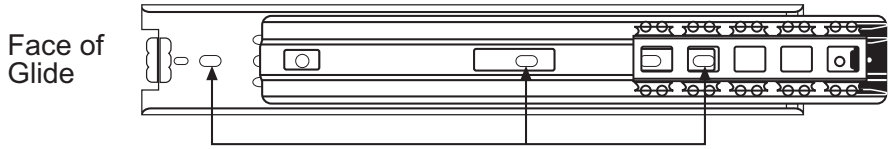
1-1/4" Phillips Flat Head #8 Screw

# STEP 2 - IMPORTANT - Please read these instructions carefully!

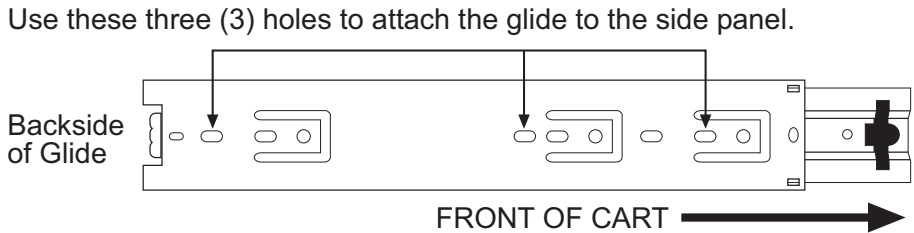
1. Remove the wine rack shelf section of the glide by pressing the black lever and sliding the steel inner glide section all the way out of the glide assembly. Set this inner section aside as it will be used later on the Wine Rack Shelf.



2. Next, identify the holes to be used for attaching each glide to the side panel. **IMPORTANT** it is at this point that you determine front, back left and right of the assembled cart. Note that the glide must extend out towards the front of the cart, therefore, select a right side panel, and make sure all glides are attached to the cart so they extend in the same direction.

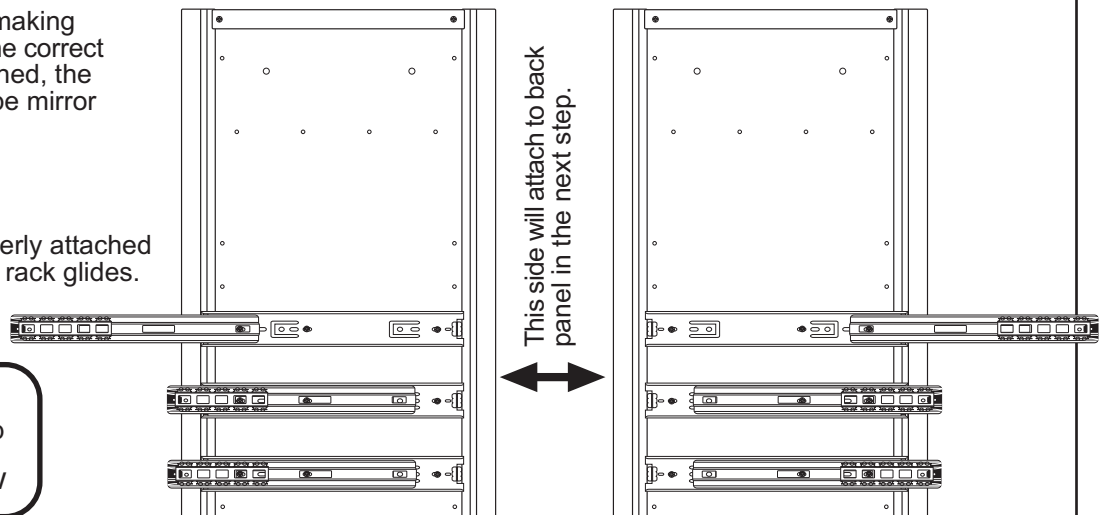



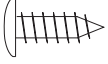
Attach glides using 3/8" #8 pan head screws. **But do not tighten down the screws. You must attach the back panel in the next step, then shift the glides all the way back so they are flush with the back panel before tightening into place. This will insure that they are all even.**



Repeat for the left side panel making sure that the glides extend in the correct direction. When properly attached, the side panels should appear to be mirror images of each other.

Properly attached wine rack glides.



18 Used in this step

3/8" Pan Head #6 Screw

# STEP 3

A. Attach the Towel bars to the side panels using 1-1/4" #8 screws.

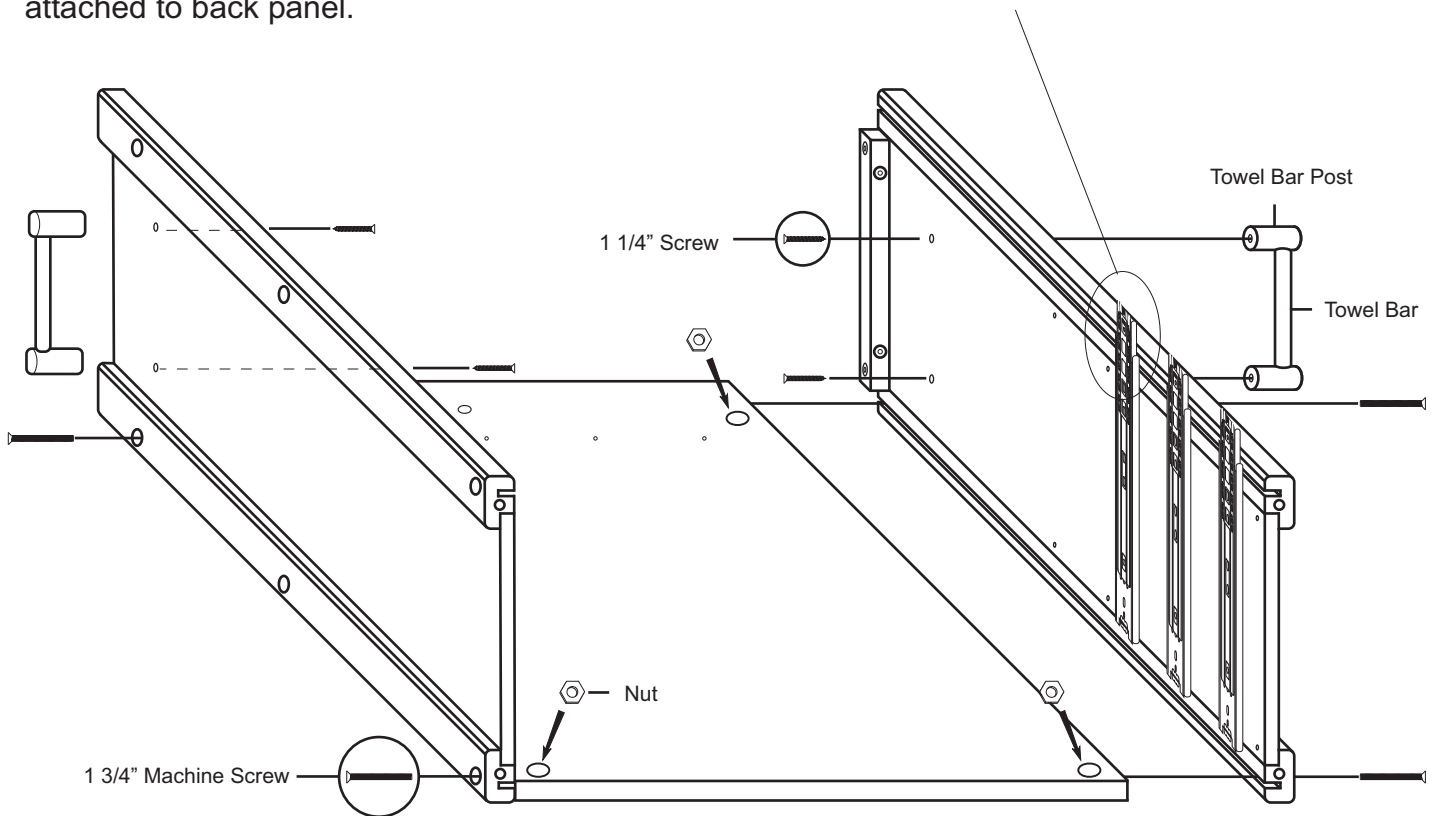
B. Lay back panel flat on a smooth surface with holes up.


C. Attach side panels to the back panel with 1-3/4" machine screws (bolts) and hex nuts. After inserting bolts thru the holes in the side panels, thru the holes in the long edges of the back panel, place a hex nut on the tip of your finger, align nut with bolt and tighten. **MAKE SURE THE GLIDES EXTEND OUT THE FRONT SIDE OF THE CART.**


D. Look ahead to step 5 which shows side panels attached to back panel.


**IMPORTANT NOTE:**  
Back panel is flush with bottom of side panels. Back panel is 1" shorter than side panels which leaves gap for drop leaf supports at the top.

**REMEMBER TO MAKE SURE THE GLIDES EXTEND OUT THE FRONT SIDE OF THE CART.**



 4 Used in this step  
1 3/4" Phillips Flat Head Bolt

 4 Used in this step  
1-1/4" Phillips Flat Head #8 Screw

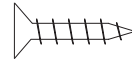
 4 Used in this step  
10-24 Hex Nut

## IMPORTANT NOTE:

STEPS 4 - 10 WILL BE ACCOMPLISHED WITH THE UNIT TOP UPSIDE DOWN ( INVERTED ), BUILDING UPWARD TOWARD THE BOTTOM/CASTER END!  
BE CAREFUL AS PART DESCRIPTIONS ARE BASED ON AN UPRIGHT, COMPLETED UNIT!

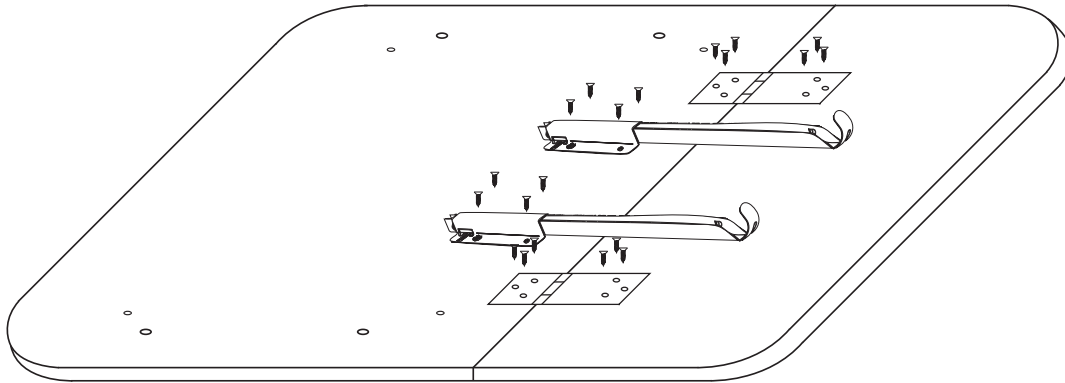
# STEP 4

Assemble the table top by placing the top and the drop leaf upside down on a smooth flat surface. Install hinges using 5/8 #8 screws. The longer part of the hinge goes on the drop leaf with the short part on the cart top. Fasten the drop leaf supports using 5/8 #8 screws.

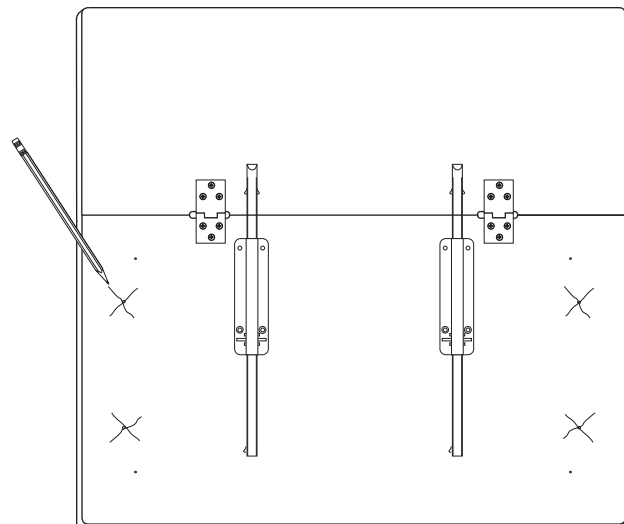


20 Used in this step

5/8" Phillips Flat Head #8 Screw

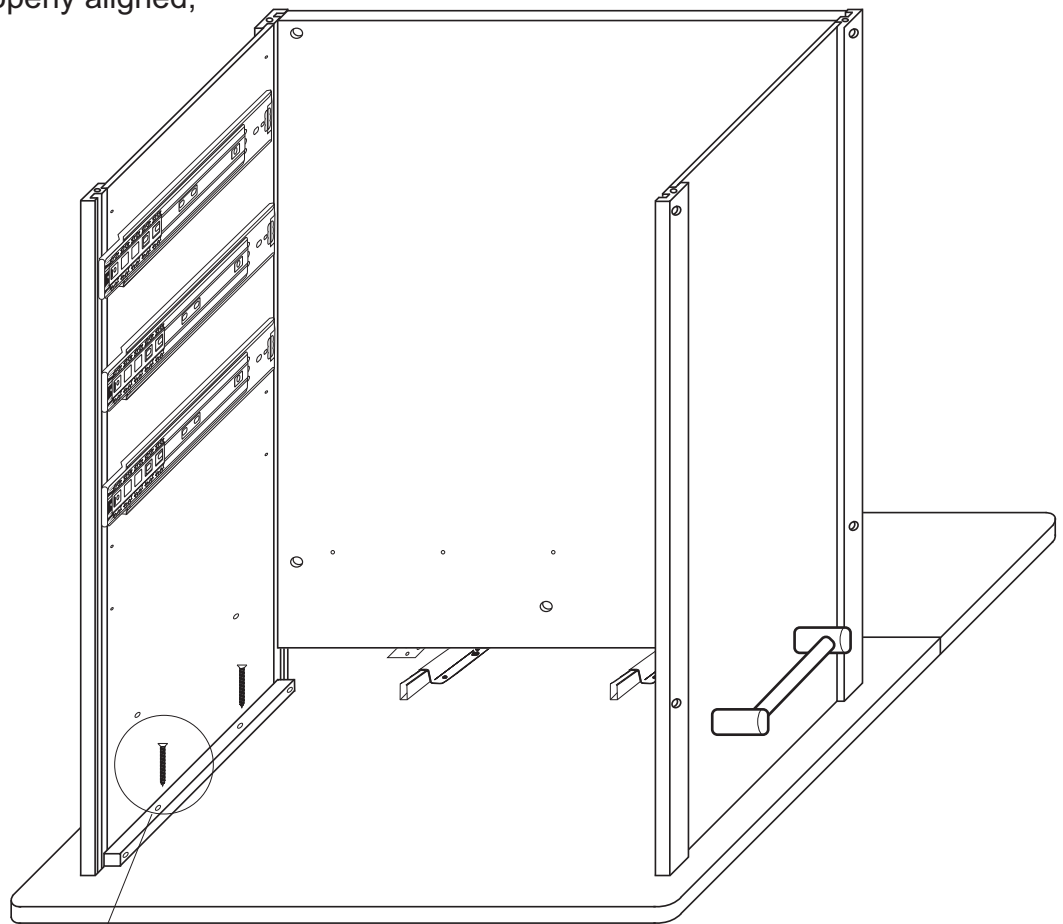




Invert table top on a smooth flat surface and make a large (X) mark over each of the pilot holes in the bottom. Make marks about 1 1/2" long. These marks will help you align the cabinet with the pilot holes in step 5.



# STEP 5

- A. Turn the side/back assembly ( from step 3 ) upside down ( invert ) on top of the inverted table top.
- B. Drop two 1-1/4" # 8 screws into the holes in each of the table top sticks.
- C. Using the (+) marks from step 4 as a guide, insert the tips of the screws into the pilot holes in the unit top and finger tighten. When all 4 screws are properly aligned, tighten down.



  4 Used in this step  
1 1/4" Phillips Flat Head #8 Screw

# STEP 6

A. Attach the drawer back to the drawer sides with two 1-1/2" #8 screws. The drawer back leaves a 1" gap at the top to allow drop leaf support clearance. Make sure parts are aligned as in illustration 6A.

B. Insert drawer bottom into the slots in the drawer sides, best side to inside of drawer. Slide down until seated in the slot in the drawer back. See illustration 6B.

C. Screw the cam posts into the two outside holes on the inside face of the drawer front until seated. Only 3/8" of this post goes into the wood, leaving the 4 guide rings/head exposed. See illustration 6C.

D. Insert the posts into holes in the drawer side until seated against the front ends of the drawer sides. Insert cams so that slot in the cam fits over the post and turn with Phillips screwdriver until seated. Don't over-torque! See illustration 6D.

E. Attach drawer handle with the two handle screws.

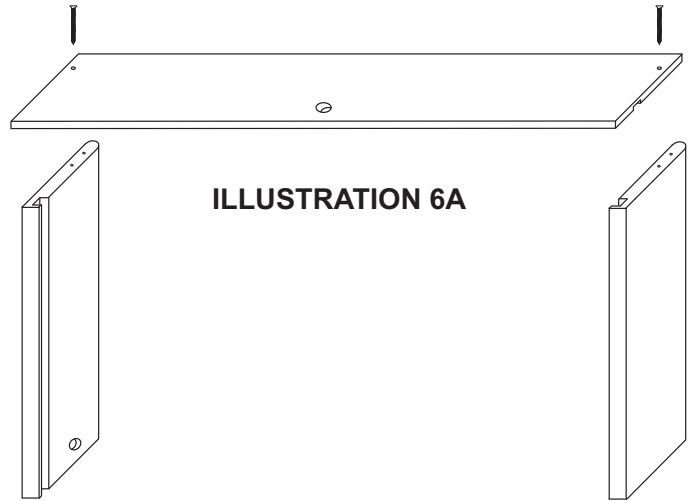


ILLUSTRATION 6A

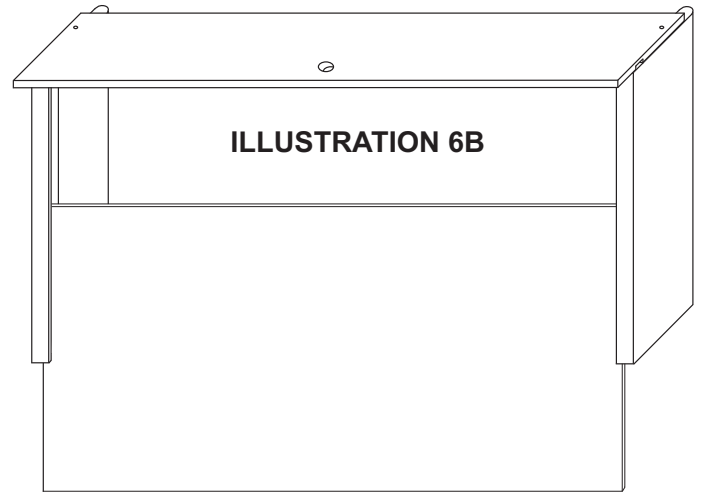


ILLUSTRATION 6B

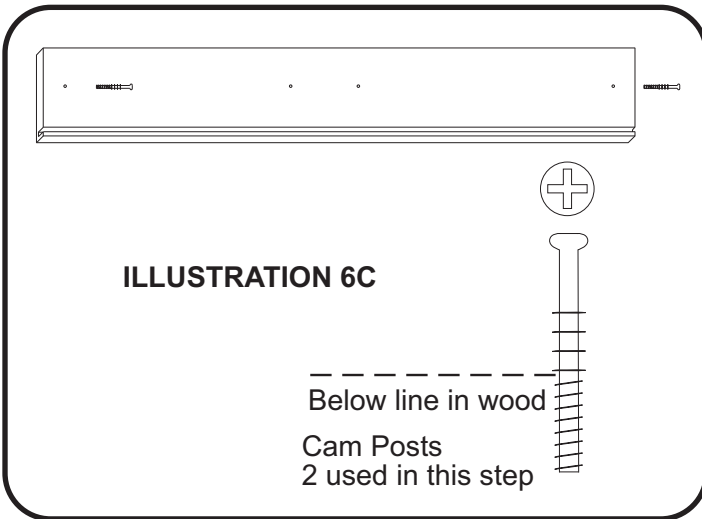
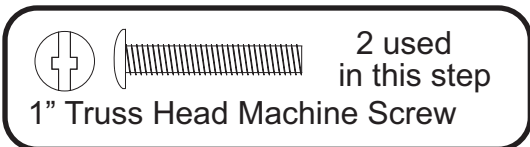


ILLUSTRATION 6C

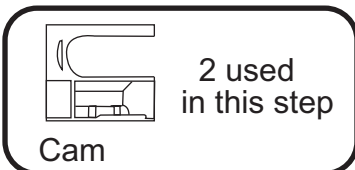
Below line in wood  
Cam Posts  
2 used in this step



2 used in this step  
1 1/2" Phillips Flat Head #8 Screw



2 used in this step  
1" Truss Head Machine Screw



2 used in this step  
Cam

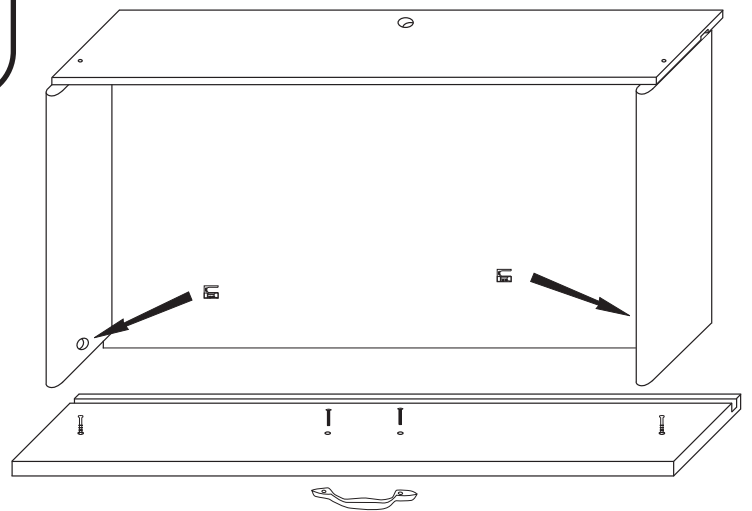
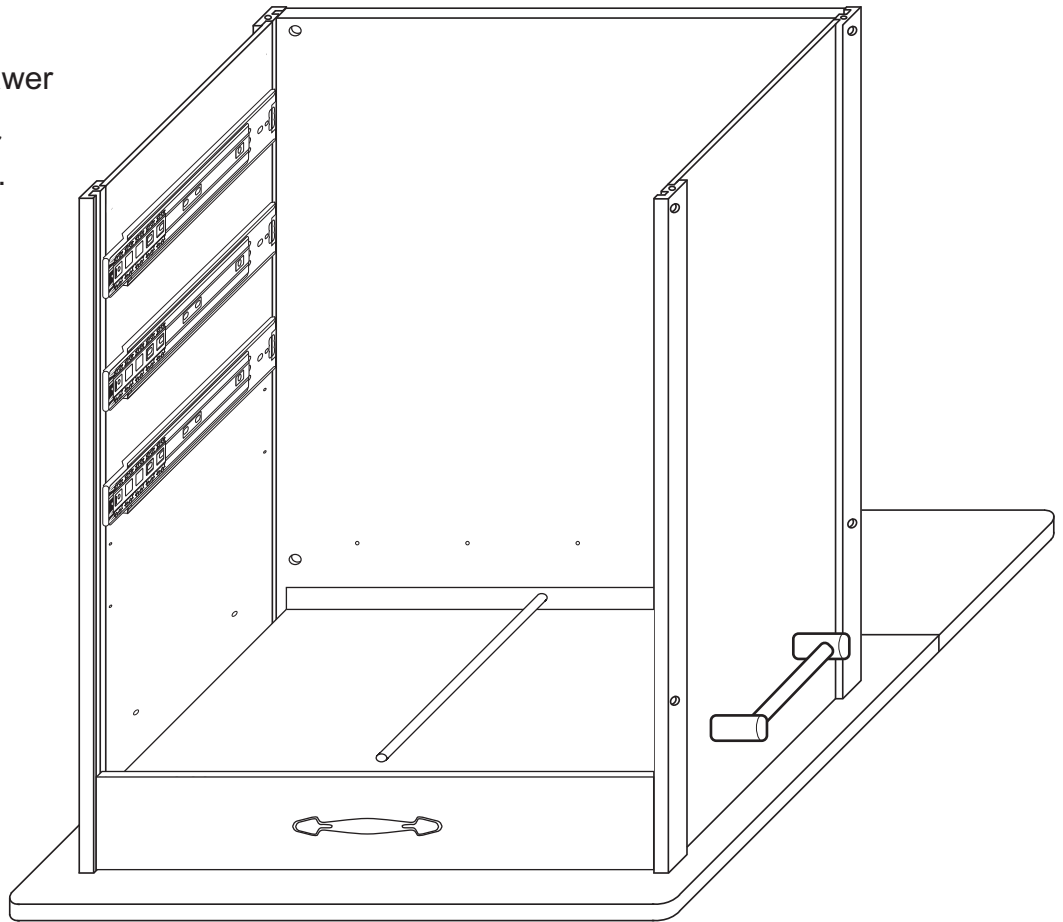


ILLUSTRATION 6C




## STEP 7

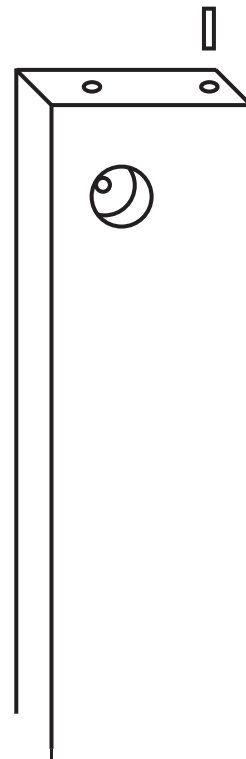
Take drawer, insert the drawer dowel thru the hole in the drawer back, invert drawer and place in cabinet cavity. Insert/turn drawer dowel into the 1/2" dia. hole in the back panel.



## STEP 8

Take the 2 front braces and tap/insert one 3/4" steel pin into each end of both braces until seated. About 3/8" will stick out when seated. Ok if loose.

 4 used in this step  
3/4" Long 3/16" DIA. Steel Pin (4)



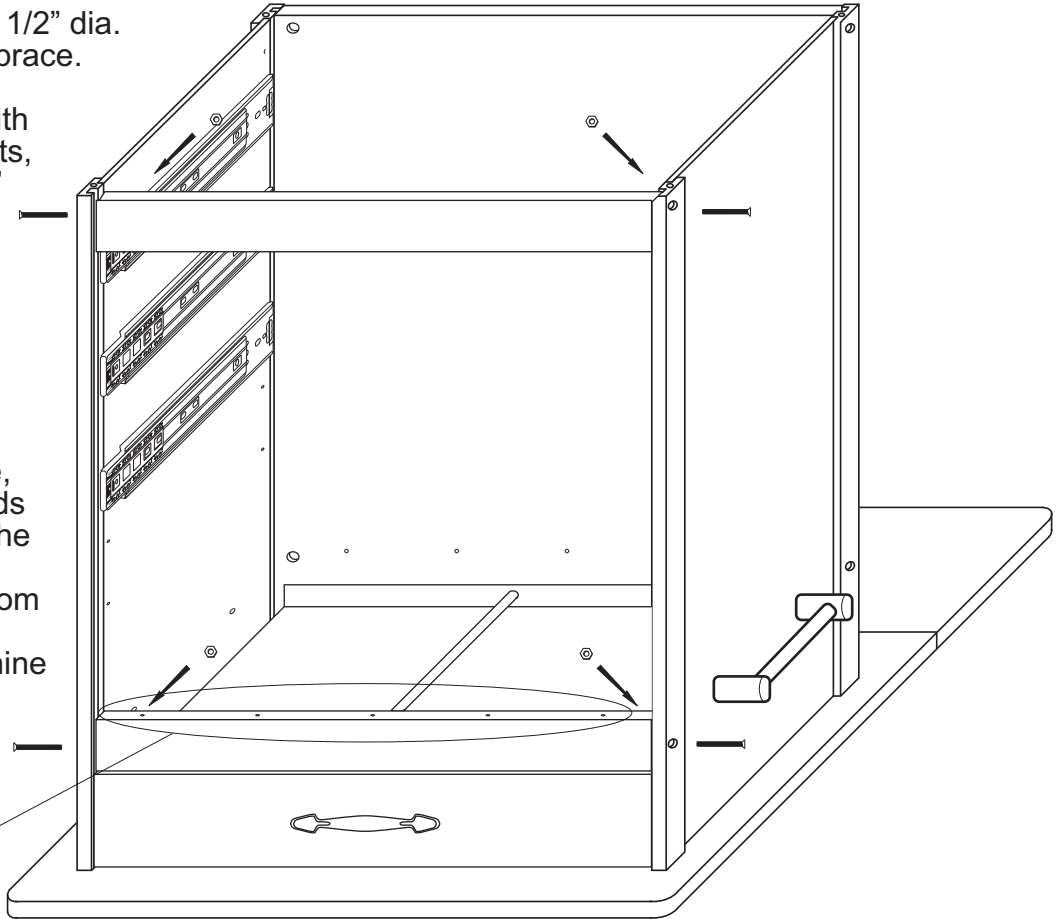
# STEP 9

A. Take the top front brace with the holes facing the bottom of the cart, insert the pins in the brace ends into the slots on the inside of the front legs and slide down until the brace rests on the bottom of the drawer front.

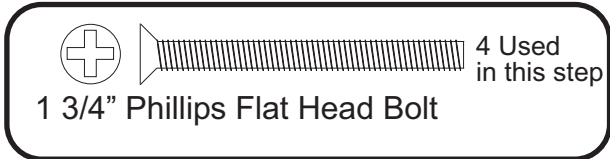
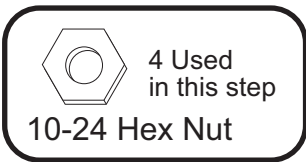
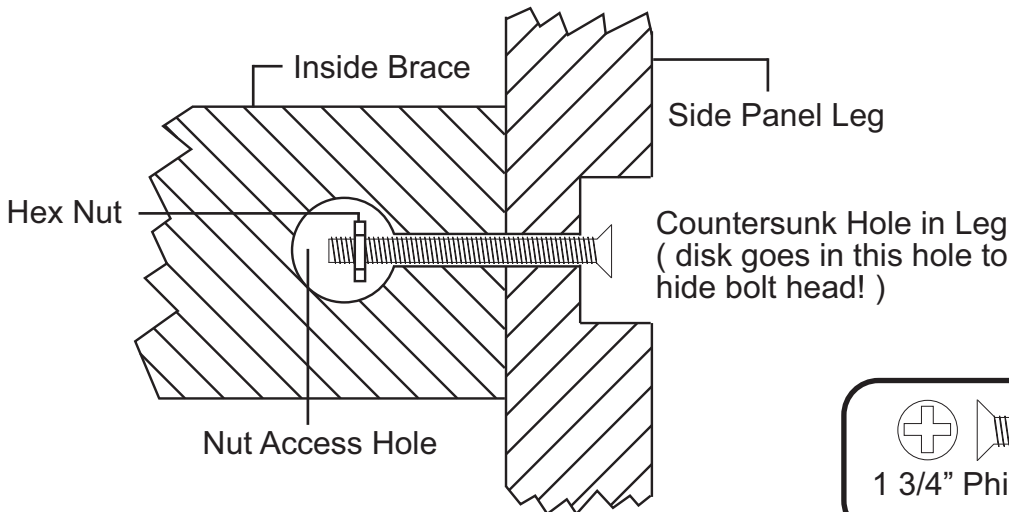
B. Twist drawer dowel into the 1/2" dia. hole on the inside of the front brace.

C. BEFORE securing brace with 1-3/4" machine screws/hex nuts, raise brace approximately 1/8" before tightening ( or use a couple of dull kitchen knives as spacers between the brace and the top edge of the drawer front. ) This will allow the drawer to open easily when unit is uprighted.

D. Take the bottom front brace, insert the pins in the brace ends into the slots on the inside of the front legs and slide down until the brace is flush with the bottom of the side panels. Secure the bottom brace with 1-3/4" machine screws/hex nuts.



**BE SURE TO USE THE CORRECT BRACE AND THAT THE HOLES ALONG THE EDGE FACE THE BOTTOM OF THE CART - THESE WILL BE USED TO ATTACH THE STEMWARE HOLDERS.**



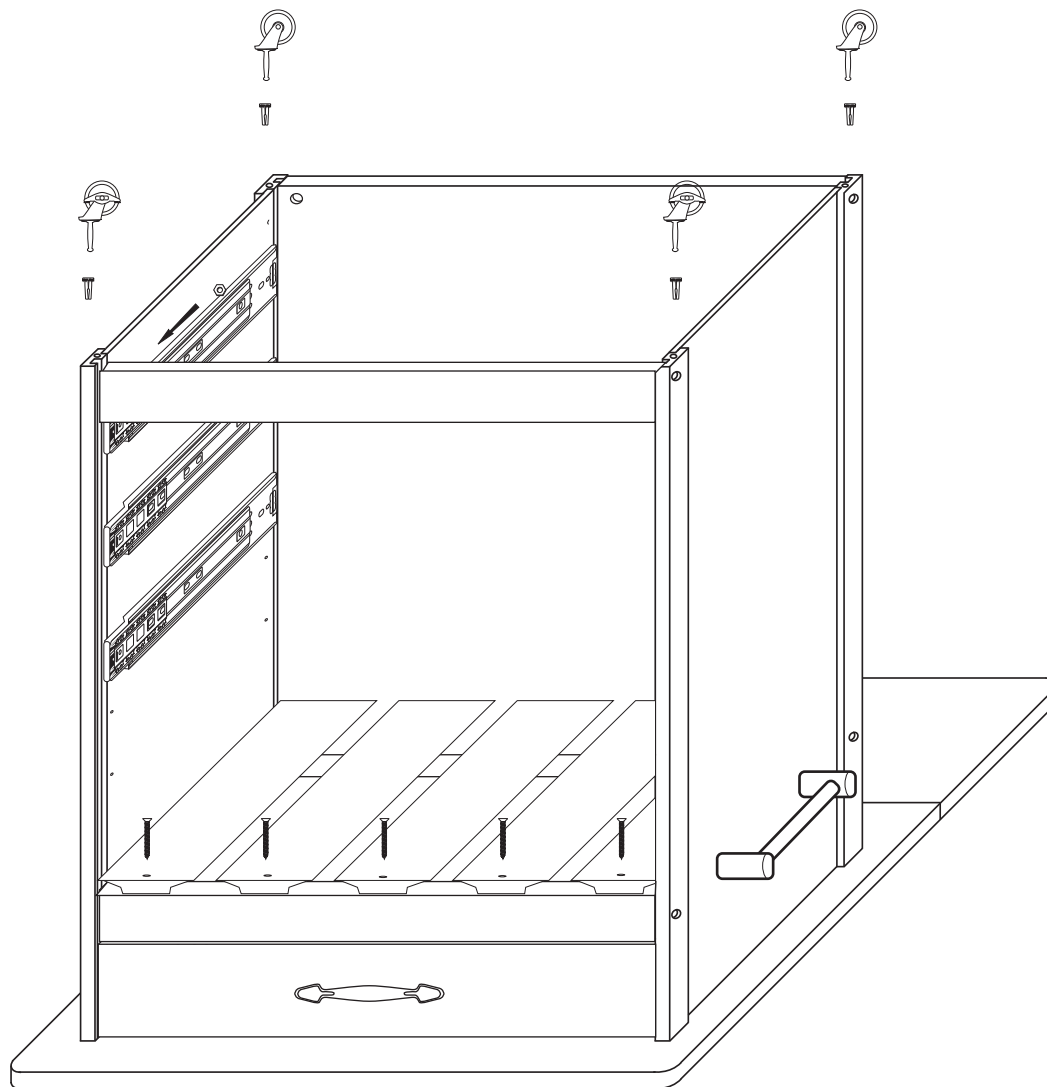
# STEP 10

A. Insert one 3/4" pin into the end of each stemware holder. Orient holder as shown in the illustration and put pins into holes in the back panel.

B. Attach the stemware holders to the bottom edge of the top front brace using 1" #8 screws.

C. Insert and tap caster sockets with hammer until the teeth grab the wood.  
**DON'T POUND SOCKET FLAT OR CASTER SHAFT WILL NOT ENTER.**

D. Insert casters and seat by pushing straight downward with heel or your hand, or tap into place with a hammer. Don't be afraid to give them a good downward whack on the solid metal part of the caster! Locking casters are usually most functional when placed on the front of the cart.



1" Phillips Flat Head #8 Screw



5 used  
in this step



5 used in this step  
3/4" Long 3/16" DIA. Steel Pin

# STEP 11

A. Attach rack front to the rack sides using bastions. (see bastion assembly instructions below for added information).

B. Insert wine bottle support dowels into rack front and back.

C. Secure rack back to sides using 1-1/4" #8 screws (4 used in this step).

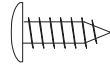
D. Attach inner rack glide to rack sides using 3/8" #6 pan head screws.

Rack glide should be flush with the rack front.



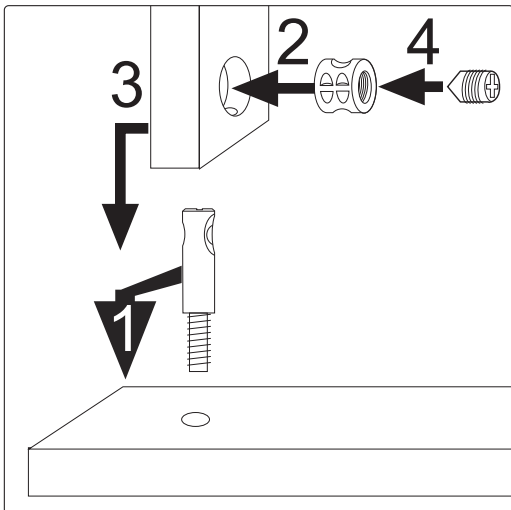
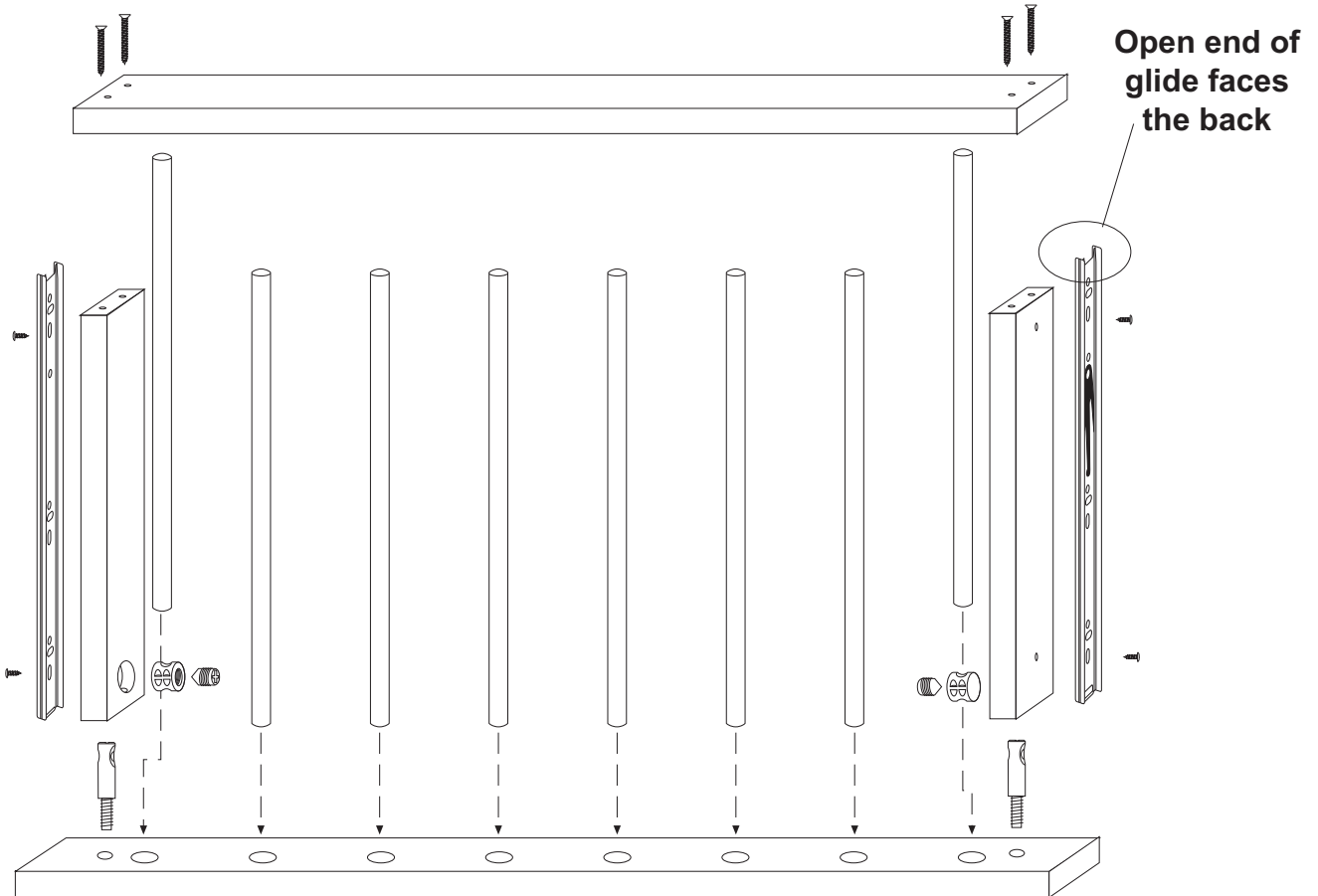
4 Used in this step

1-1/4" Phillips Flat Head #8 Screw



4 Used in this step

3/8" Pan Head #6 Screw



## BASTION ASSEMBLY INSTRUCTIONS

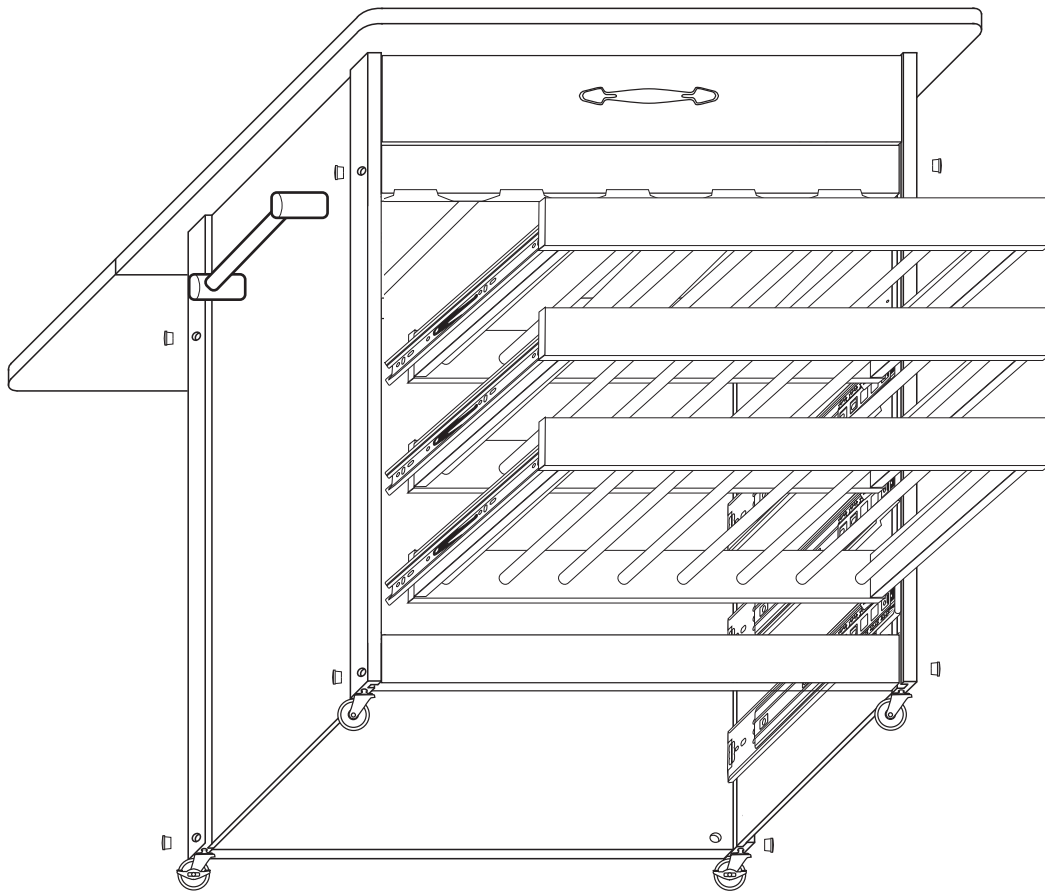
1. Screw Bastion post into wine rack front. Screw until all threads are hidden, then back out a half turn (or the depth of a finger nail) such that the hole in the post will face left to right.
2. Place the barrel nut into the side brace hole.
3. Slide the side brace onto the post such that the post also slides into the barrel nut.
4. Screw the set screw into place, tightening such that the side brace and wine rack front pull together tightly.

# STEP 12

A. Upright Unit. Take care when you upright the unit so that the drop leaf is supported with your hand.

B. Slide wine racks into place. The wine rack will be properly seated in the glides once it has been pushed all the way in - it may take extra force to push the rack in initially. Once properly seated the wine rack should then glide smoothly.

C. Tap wooden disks into sides.





For continued beauty and long life of your Catskill Craftsmen cart, we recommend Catskill Craftsmen's Butcher Block Oil.

If you would like to purchase Butcher Block Oil directly from Catskill Craftsmen's factory, we offer a reduced price. For one eight ounce (8 fl. oz.) bottle, which is sufficient for two applications, simply send \$5.95 along with the completed coupon to the address below.

Mail this coupon along with payment to:  
Catskill Craftsmen, Inc.  
15 West End Ave.  
Stamford, NY 12167-1296



**CATSKILL**  
C R A F T S M E N , I N C .  
**BUTCHER BLOCK OIL COUPON**

Please send me \_\_\_\_\_ # of bottle(s) of the Catskill Craftsmen Butcher Block Oil at \$5.95. My Check or Money Order is enclosed for a total of \$ \_\_\_\_\_ .  
Item Code: 1580

NAME \_\_\_\_\_

ADDRESS \_\_\_\_\_  
\_\_\_\_\_

CITY \_\_\_\_\_

STATE \_\_\_\_\_ ZIP \_\_\_\_\_

Please make checks payable to: Catskill Craftsmen Inc.