

CATSKILL

C R A F T S M E N , I N C .

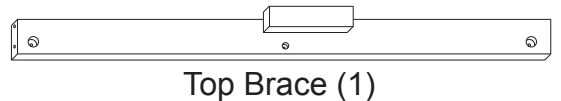
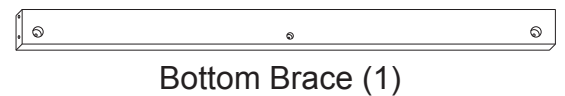
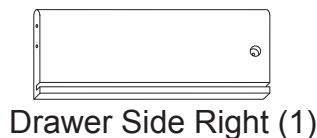
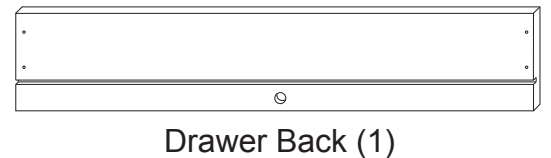
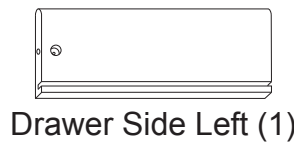
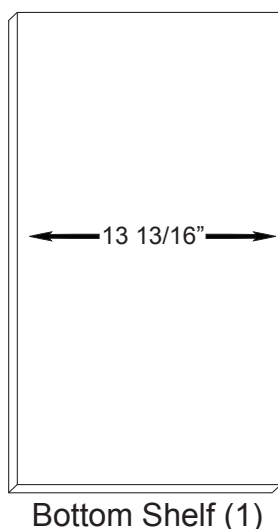
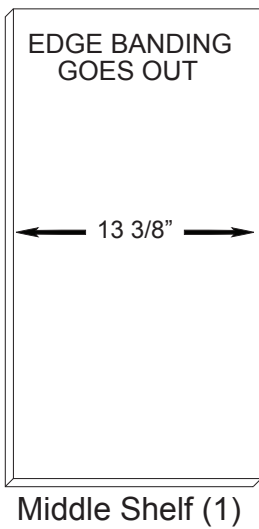
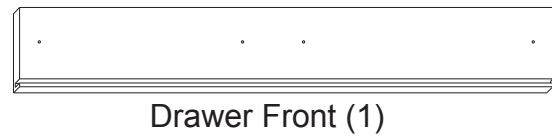
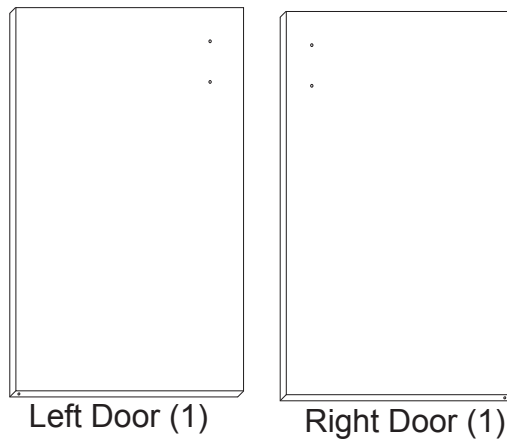
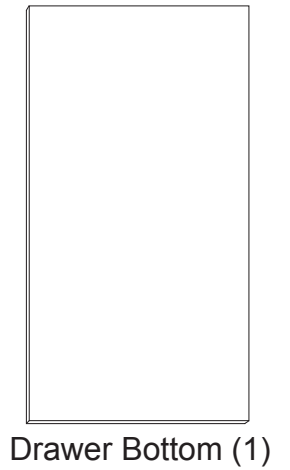
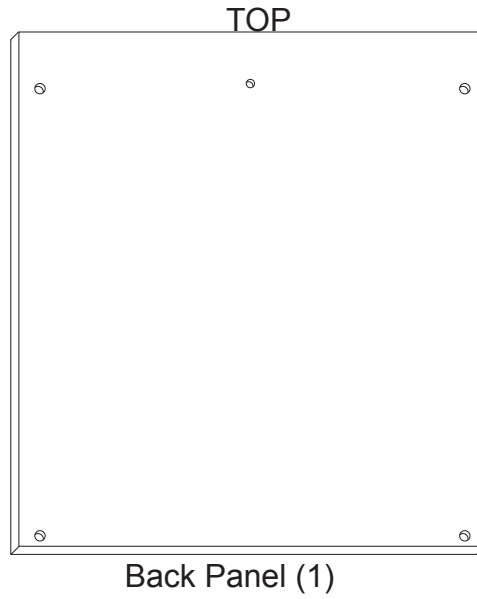
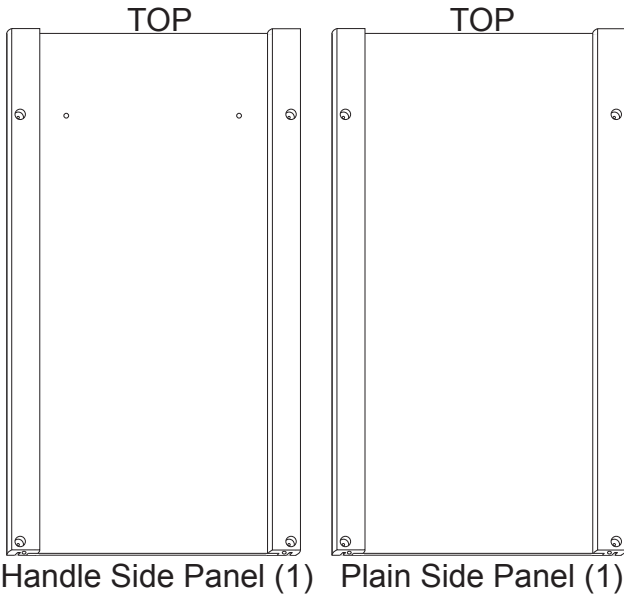
Assembly Instructions Model 1536 Cuisine Island



GENERAL:

1. You have purchased model 1536. Overall dimensions of an assembled unit is 31 1/2" x 17 1/2" x 34 1/2" height. This cart is made of the finest Northeastern Hardwood and matching veneer.
2. Should you need assistance or need to replace a damaged or missing part, DO NOT RETURN THE UNIT TO THE STORE where you purchased it, simply give us a call and we'll send you the prepaid part via UPS usually that same day!
3. Read the assembly instructions and the enclosed brochure before beginning assembly. Assembly is very easy if you read and follow the instructions step by step.
4. The only tools needed are a hammer, a small and a medium Phillips head screwdriver and medium flat blade screwdriver. A pencil is also needed. A power screwdriver will speed assembly, but is not required. Place a few drops of vegetable oil on the threads of wood screws before screwing into hardwood parts.

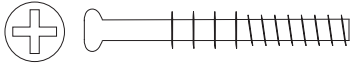
CABINET PARTS



HARDWARE



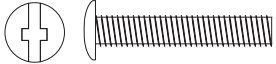
1 3/4" Phillips Flat Head Bolt (8)



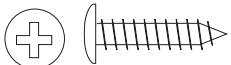
Cam Posts (2)



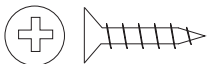
1 1/4" Phillips Flat Head #8 Screw (14)



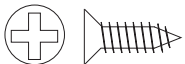
1" Truss Head Machine Screw (6)



5/8" Pan Head Screw (2)



5/8" Phillips Flat Head #8 Screw (3)



1/2" Phillips Flat Head #4 Screw (1)



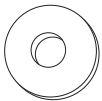
3/4" Long 3/16" DIA. Steel Pin (4)



1" Long 3/16" DIA. Steel Pin (8)



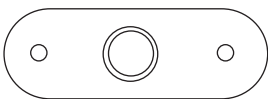
1 1/2" Long 3/16" DIA. Steel Pin (4)



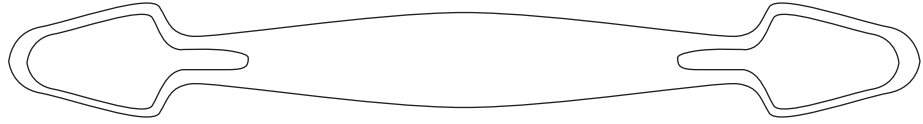
3/16" Flat Washer (2)



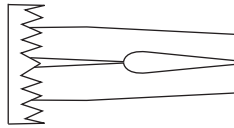
10-24 Hex Nut (8)



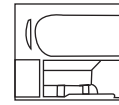
Magnet Plate (1)



Nickel Handle (3)



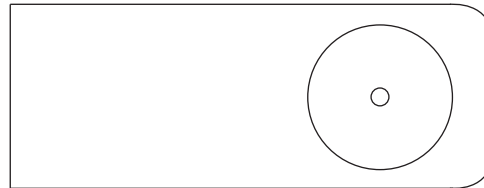
Caster Socket (4)



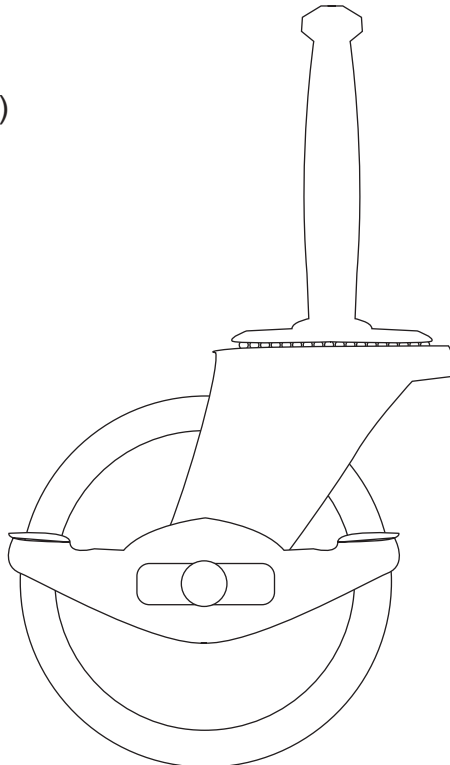
Cam (2)



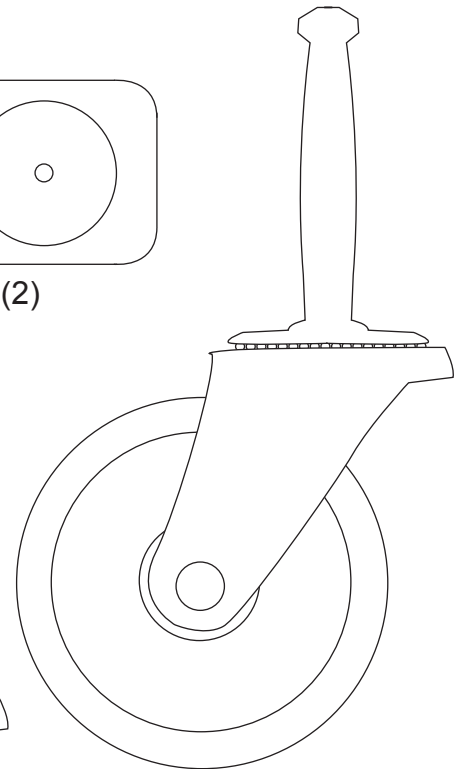
5/8" Wooden Disk (2)



Towel Bar Post (2)



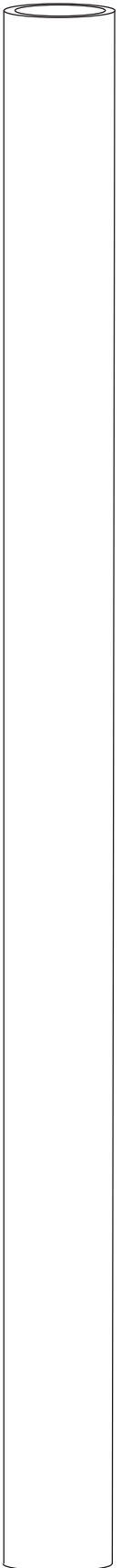
Locking Wheel Caster (2)



Non Locking Wheel Caster (2)



Magnet (1)



Polished Nickel Towel Bar (1)

STEP 1

Attach a table top stick to the top of each side panel using 1 1/4" #8 screws. The countersunk holes (reamed out) in the stick are positioned as in illustration 1. Sticks should be flush with top of panel.

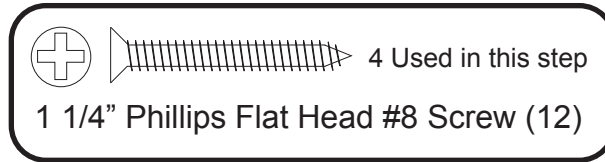
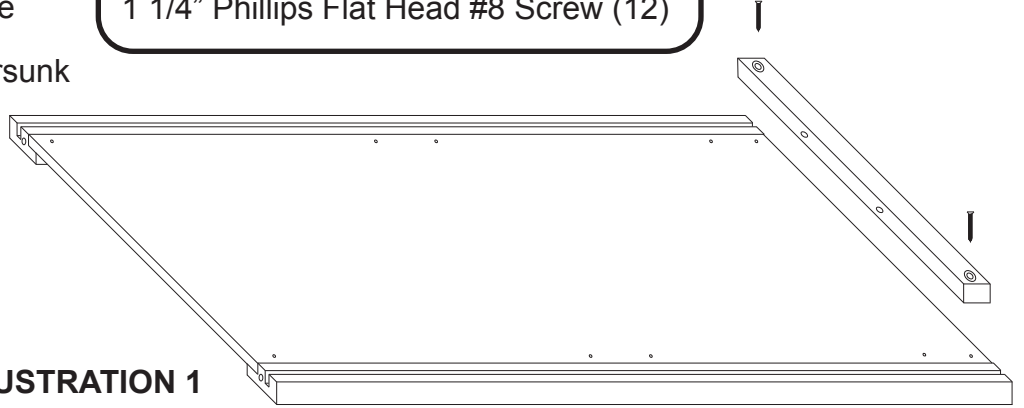
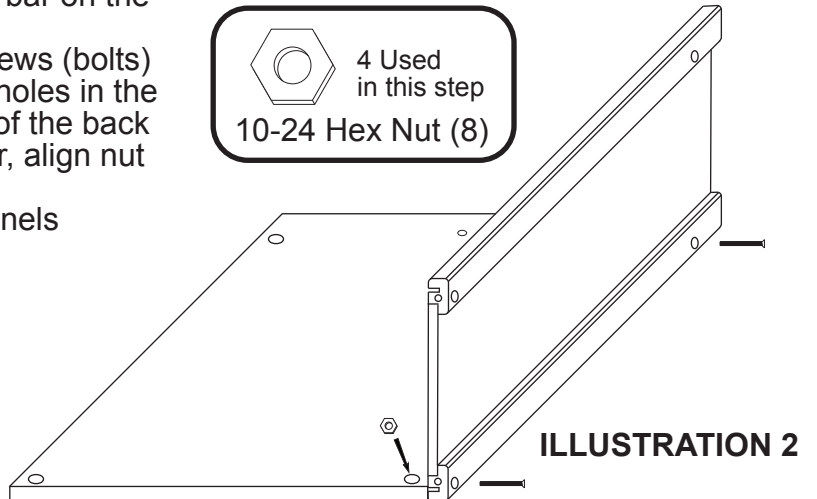
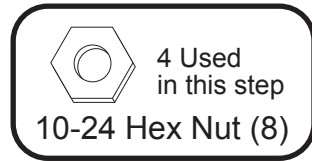


ILLUSTRATION 1



STEP 2

- A. Lay back panel flat on a smooth surface with holes up.
- B. Decide at this point if you want the handle/towel bar on the right or the left side of the cabinet as they are interchangeable. We placed the handle/towel bar on the right for these instructions.
- C. Attach side panels with 1 3/4" machine screws (bolts) and hex nuts. After inserting bolts(s) thru the holes in the side panels, thru the holes in the long edges of the back panel, place a hex nut on the tip of your finger, align nut with bolt and tighten.
- D. Look ahead to step 4 which shows side panels attached to back panel.

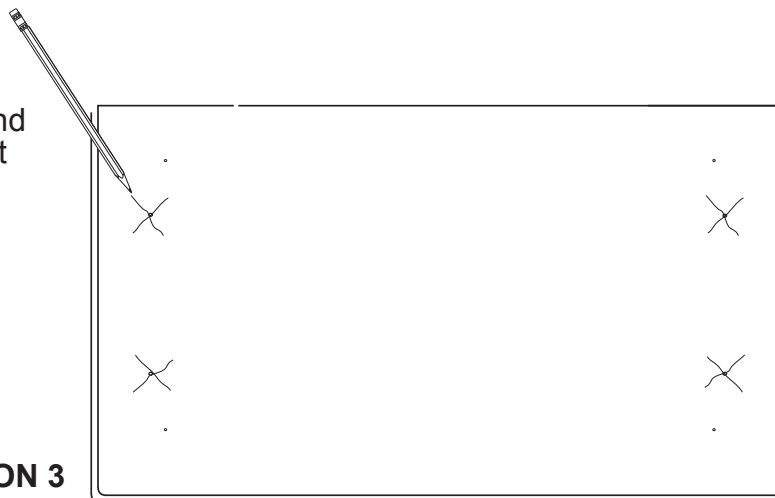


STEP 3

Invert table top on a smooth flat surface and make a large (X) mark over each of the pilot holes in the bottom. Make marks about 1 1/2" long. These marks will help you align the cabinet with the pilot holes in step 4.

NOTE: Use holes circled on illustration. The four outside holes are not used.

ILLUSTRATION 3



STEP 4

A. Turn the side/back assembly (from step 2) upside down (invert) on top of the inverted table top.
B. Drop two 1 1/4" # 8 screws into the holes in each of the table top sticks.
C. Using the (+) marks from step 3 as a guide, insert the tips of the screws into the pilot holes in the unit top and finger tighten. When all 4 screws are properly aligned, tighten down.
D. Tap two 1" pins into each side panel. These pins will hold the bottom shelf. See illustration5



4 Used in this step

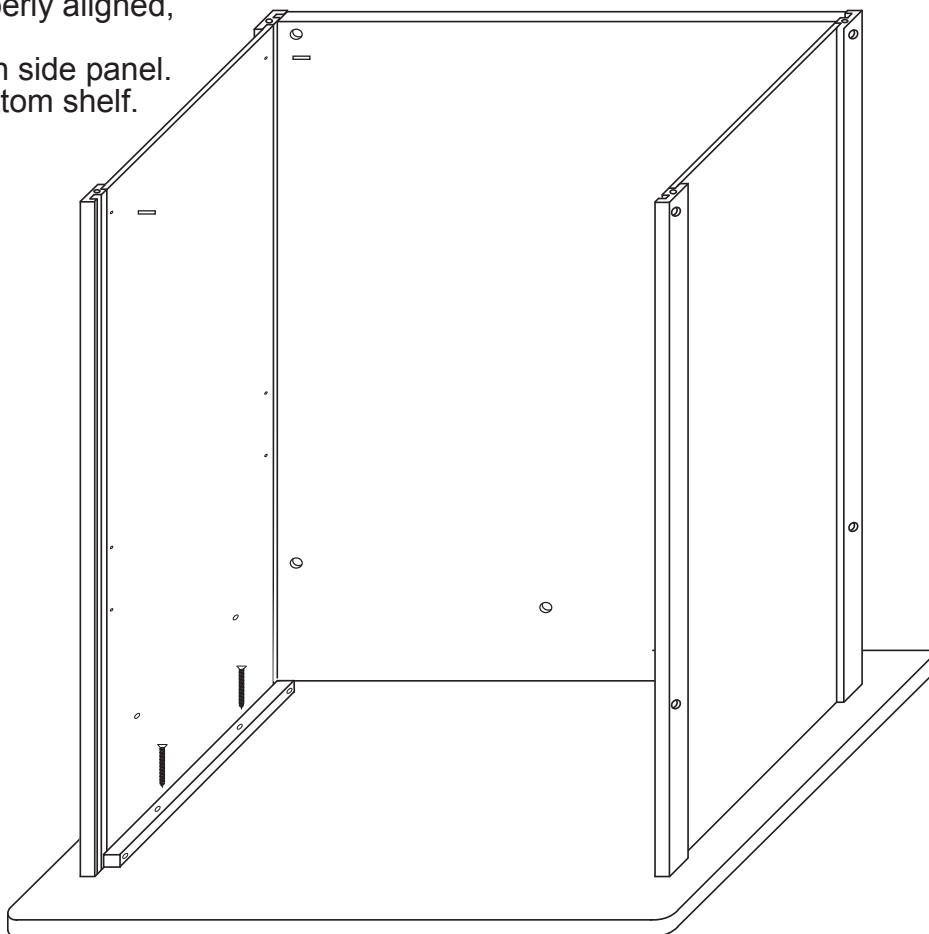
1 1/4" Phillips Flat Head #8 Screw (12)



4 Used in this step

1" Long 3/16" DIA. Steel Pin (8)

ILLUSTRATION 4



STEP 5

A. Attach the drawer back to the drawer sides with four 1 1/4" #8 screws. Make sure parts are aligned as in illustration 5A.

B. Insert drawer bottom into the slots in the drawer sides, best side to inside of drawer. Slide down until seated in the slot in the drawer back. See illustration 5B.

C. Screw the cam posts into the two outside holes on the inside face of the drawer front until seated. Only 3/8" of this post goes into the wood, leaving the 4 guide rings/head exposed. See illustration 5C.

D. Insert the posts into holes in the drawer sides until seated against the front end of the drawer sides. Insert cams so that slot in the cam fits over the post and turn with Phillips screwdriver until seated. Don't over-torque! See illustration 5D.

E. Attach drawer handle with the two handle screws (no illustration).

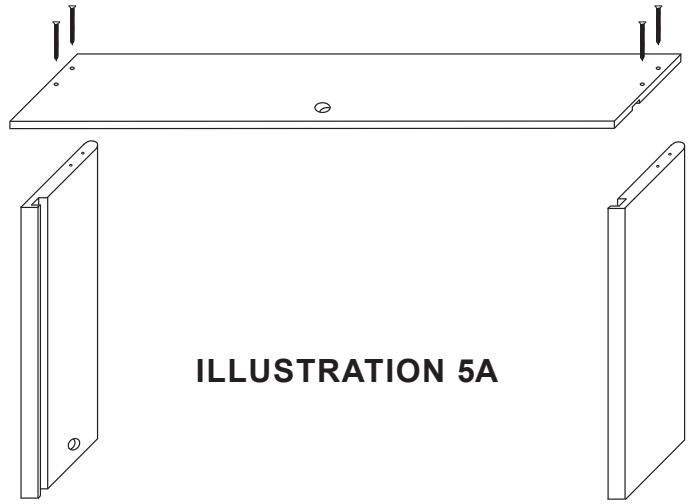


ILLUSTRATION 5A

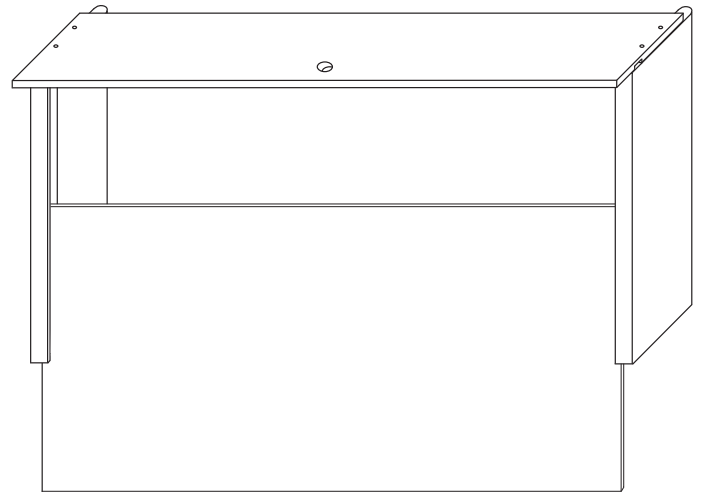


ILLUSTRATION 5B

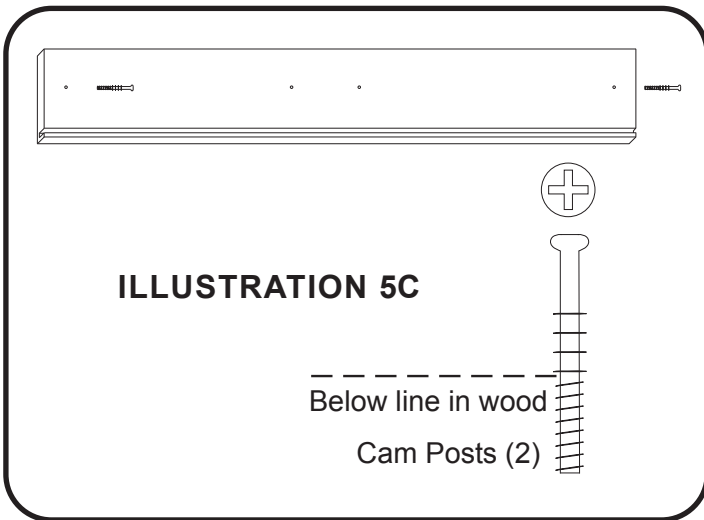
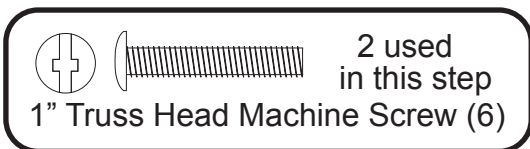


ILLUSTRATION 5C

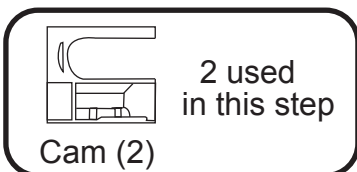
Below line in wood
Cam Posts (2)



4 used in this step
1 1/4" Phillips Flat Head #8 Screw (14)



2 used in this step
1" Truss Head Machine Screw (6)



2 used in this step
Cam (2)

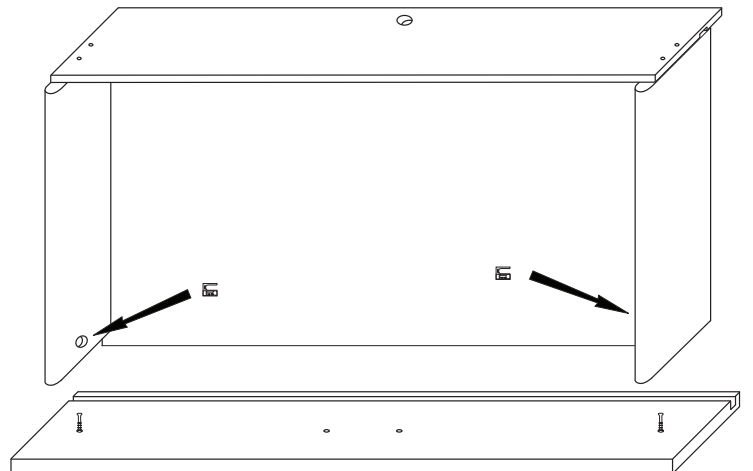


ILLUSTRATION 5D

STEP 6

Take drawer, insert the drawer dowel thru the hole in the drawer back, invert drawer and place in cabinet cavity. Insert/turn drawer dowel into the 1/2" dia. hole in the back panel.

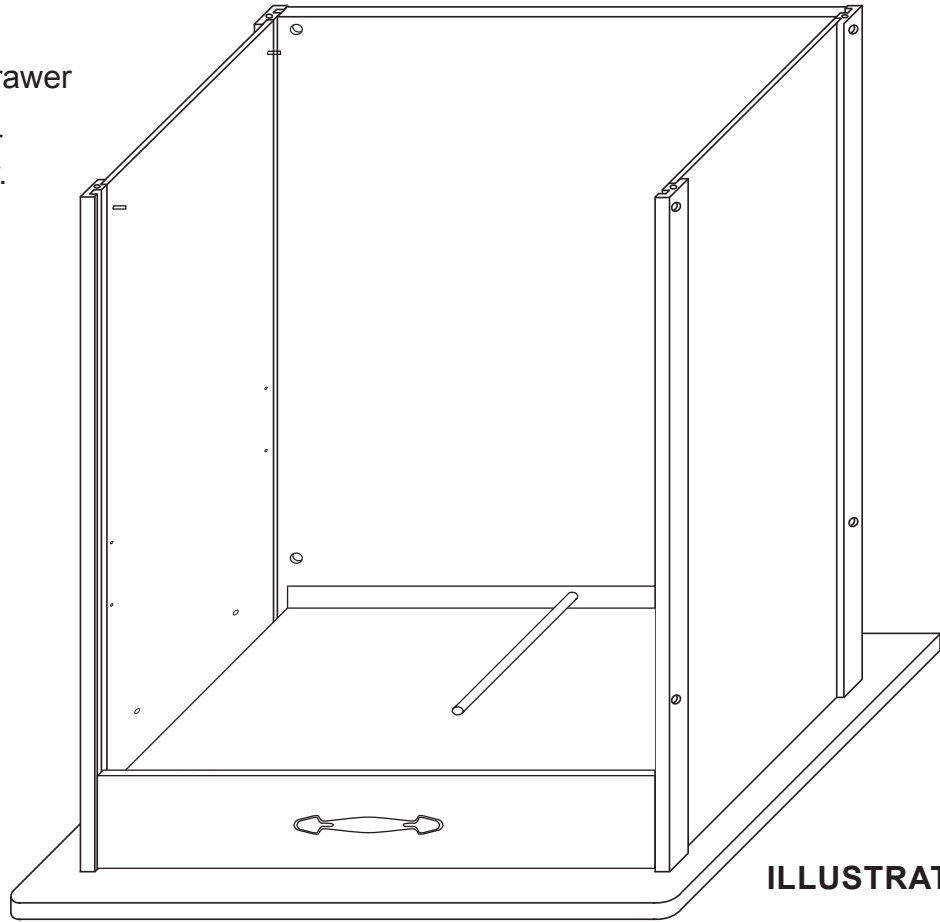



ILLUSTRATION 6

STEP 7

Take the 2 front braces and tap/insert one 3/4" steel pin into each end of both braces until seated. About 3/8" will stick out when seated. Ok if loose.

 4 used in this step
3/4" Long 3/16" DIA. Steel Pin (4)

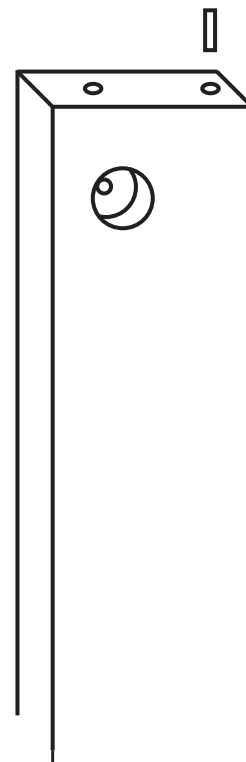


ILLUSTRATION 7

STEP 8

A. Take the top front brace (with magnet block), insert the pins in the brace ends into the slots on the inside of the front legs and slide down until the brace rests on the bottom of the drawer front. The pin holes for the door pins will be up.

B. Twist drawer dowel into the 1/2" dia. hole on the inside of the brace under the magnet block.

C. BEFORE securing brace with 1 3/4" machine screws/hex nuts, raise brace approximately 1/8" before tightening (or use a couple of dull kitchen knives as spacers between the brace and the top edge of the drawer front.) This will allow the drawer to open easily when unit is uprighted.

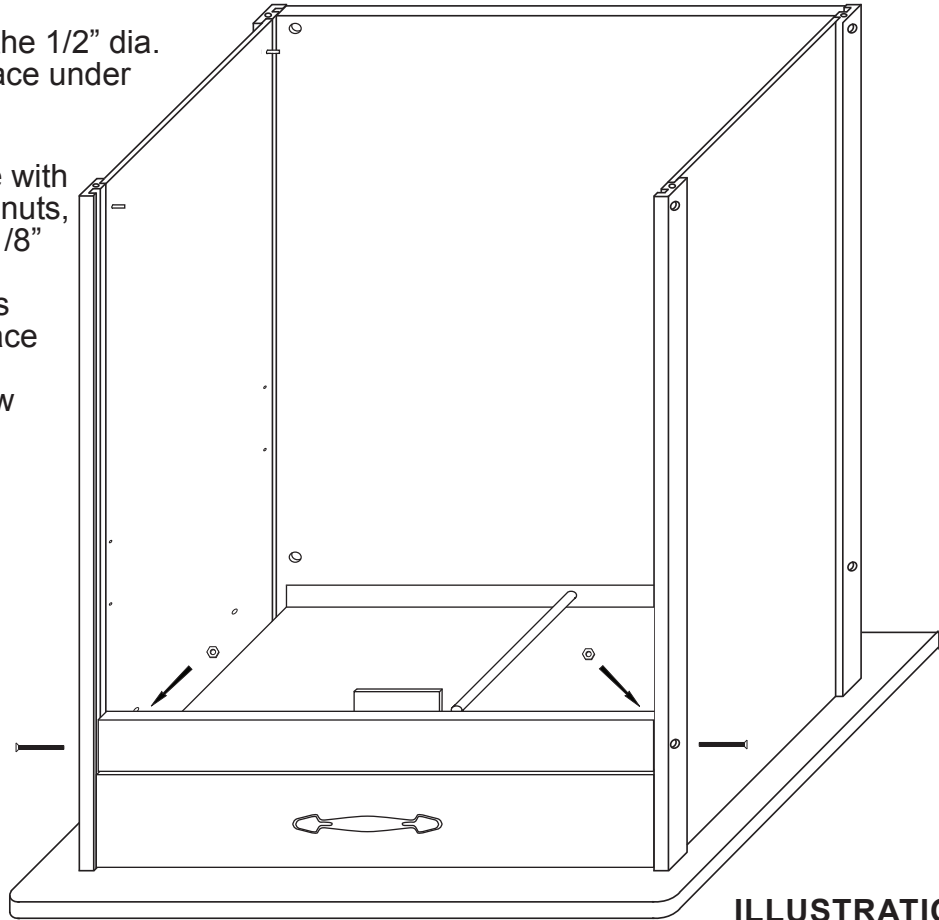


ILLUSTRATION 8A

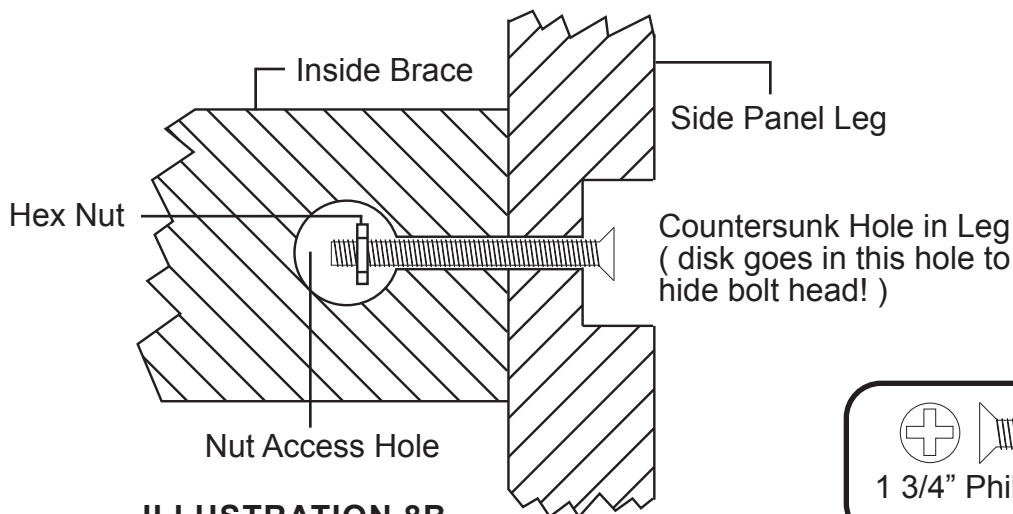
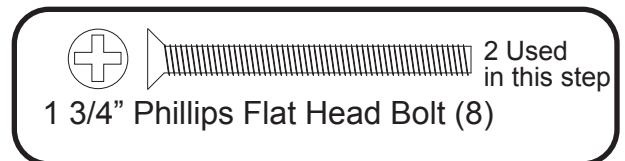
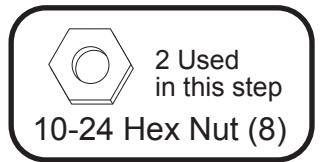



ILLUSTRATION 8B



STEP 9

Attach handle/towel bar to side panel with 1 1/4" #8 screws from inside side panel.

 2 Used in this step
1 1/4" Phillips Flat Head #8 Screw (12)

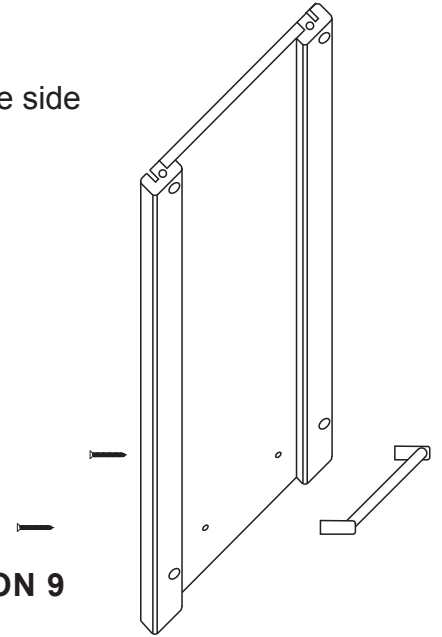


ILLUSTRATION 9

STEP 10

- A. Tap/insert ONE 1 1/2" pin into each end of both doors. DON'T OVERDRIVE PINS! pins should stick up about 1/2" when seated.
- B. Attach the doorspace to the left door with 5/8" #8 screws. The spacer has a space at the top to allow magnet clearance and is almost flush with the bottom of the door.
- C. Attach the magnet plate (may be stuck to magnet!) with the small flat head screw to the top of the right door.
- D. Attach door handles with 1" truss head machine screws.

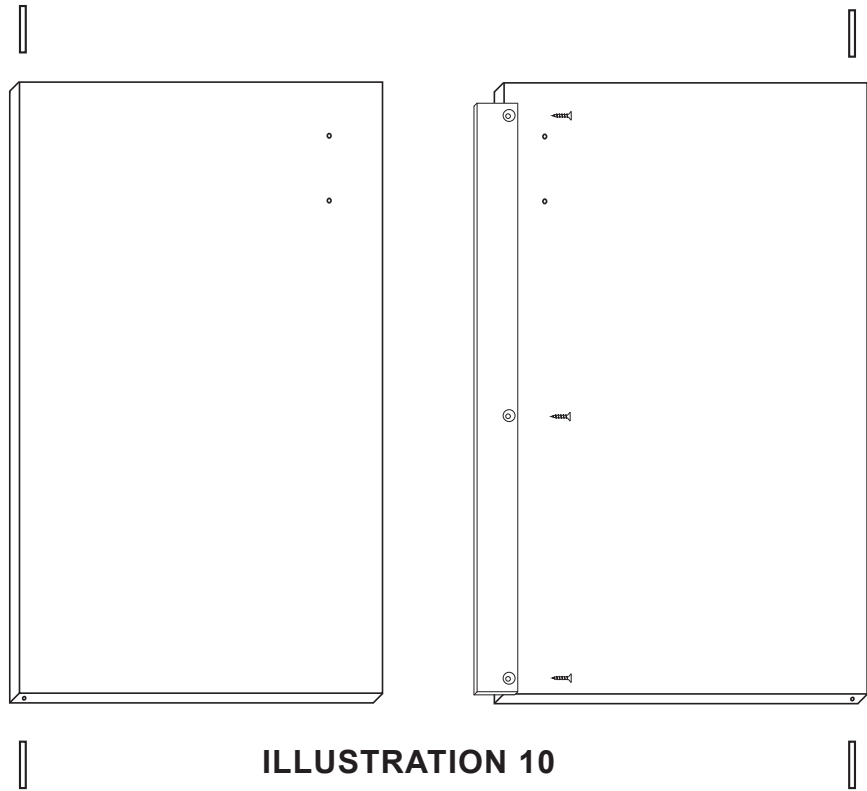


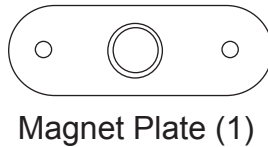



ILLUSTRATION 10


 4 used in this step
1 1/2" Long 3/16" DIA. Steel Pin (4)

 2 used in this step
1" Truss Head Machine Screw (6)



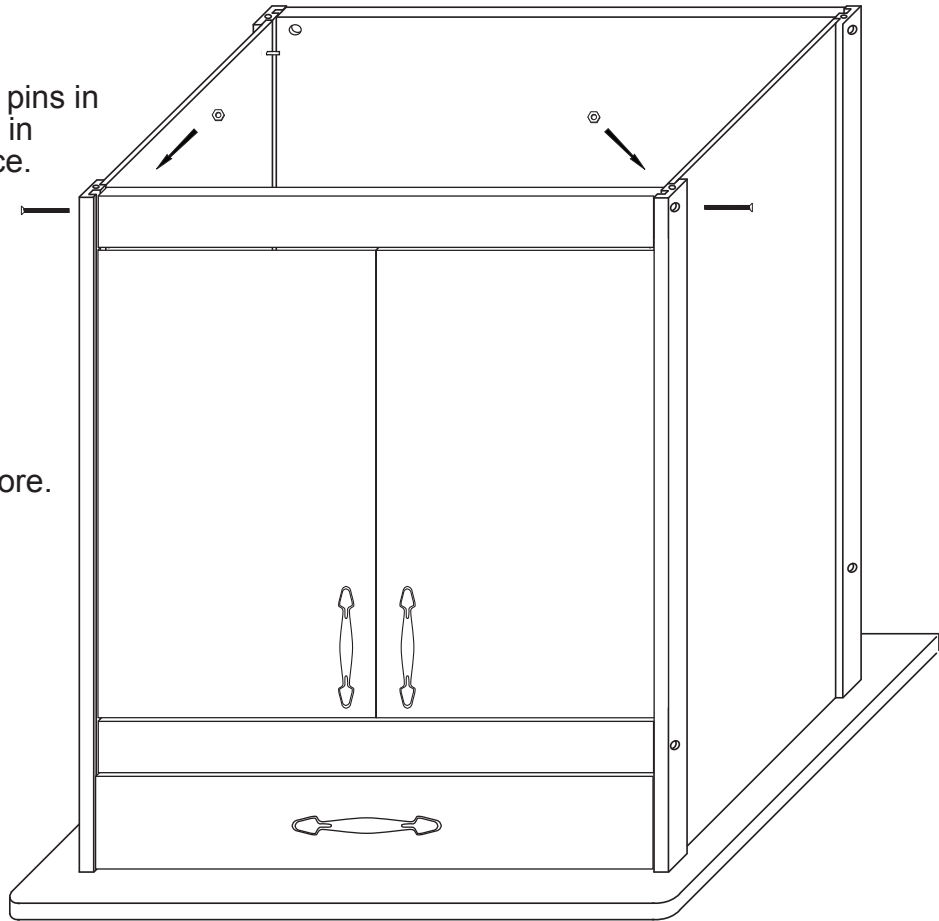

Magnet Plate (1)

 3 used in this step
5/8" Phillips Flat Head #8 Screw (23)

 2 used in this step
1/2" Phillips Flat Head #4 Screw (1)

STEP 11

- A. Install doors by inserting pins in the door tops into the holes in the long edge top front brace.
- B. Place one washer on each of the door pins in the door bottoms.
- C. Take the bottom front brace, align pins in door bottoms with holes along top long edge of brace (are washers on pins?) and secure brace with 1 3/4" bolts/hex nuts as before.

2 Used in this step
10-24 Hex Nut (8)



2 Used in this step
3/16" Flat Washer (2)



2 Used in this step
1 3/4" Phillips Flat Head Bolt (8)

ILLUSTRATION 11

STEP 12

- A. Stick magnet to magnet plate on right door.
- B. With left door open, close the right door. The magnet should be positioned over the wooden block on the bottom of the top front brace. Hold the magnet in place with your thumb, and open the right door. The magnet will be in the correct position on the block.
- C. Secure magnet with the two round head screws in the magnet packet. Center screws in the slot in the magnet. This will allow adjustment later, if needed.

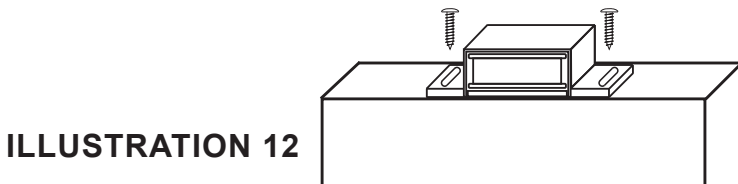



ILLUSTRATION 12



2 Used in this step
5/8" Pan Head Screw (2)



Magnet (1)

STEP 13

A. Insert and tap caster sockets with hammer until the teeth grab the wood. **DON'T POUND SOCKET FLAT OR CASTER SHFT WILL NOT ENTER.**

B. Insert casters and seat by pushing straight downward with heel or your hand, or tap into place with a hammer. Don't be afraid to give them a good downward whack on the solid metal part of the caster!

C. Locking wheels usually go on back, but can go diagonally or on the front if cart is moved a lot.

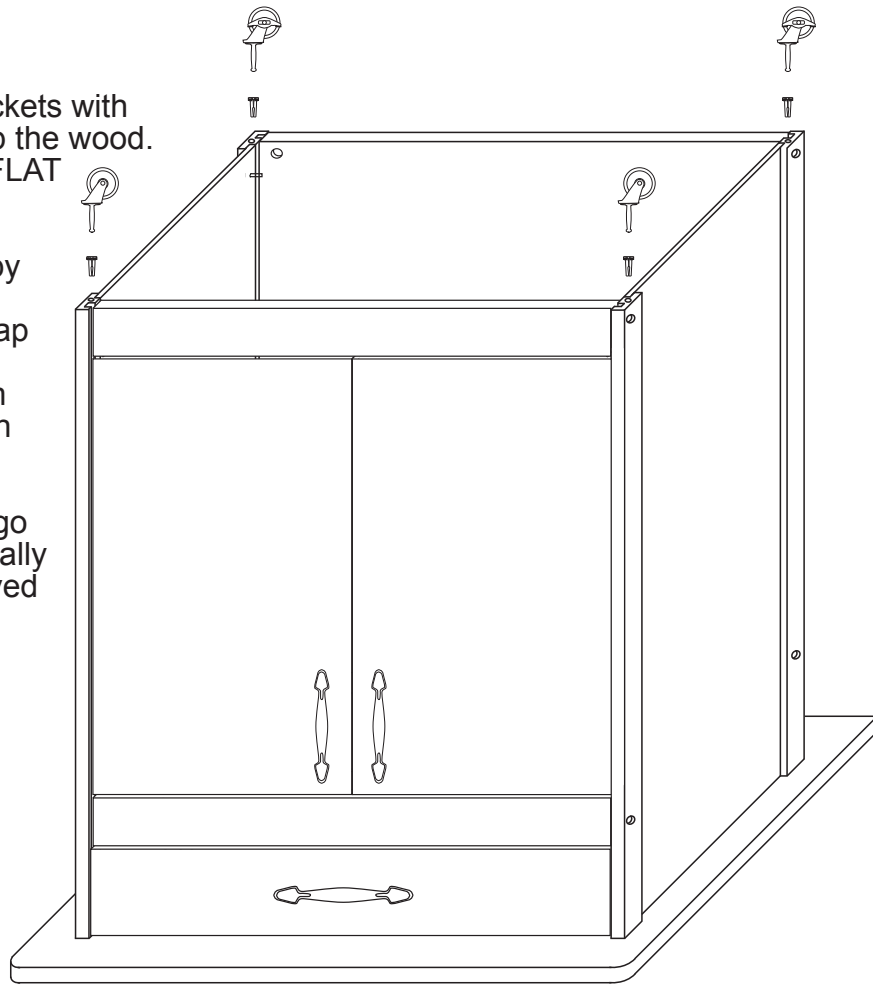


ILLUSTRATION 13

STEP 14

A. Upright Unit. Take bottom shelf (no edge banding) and place it on the set of back pins. Close doors and shelf will drop into place.

B. Decide on position of middle shelf, then tap two 1" pins into each side panel, making sure the pins on both sides are in the same relative position. To remove a pin, use pliers or claw hammer.

C. Place middle shelf, edge banding out, on pins.

D. Tap remaining wooden disks into sides.

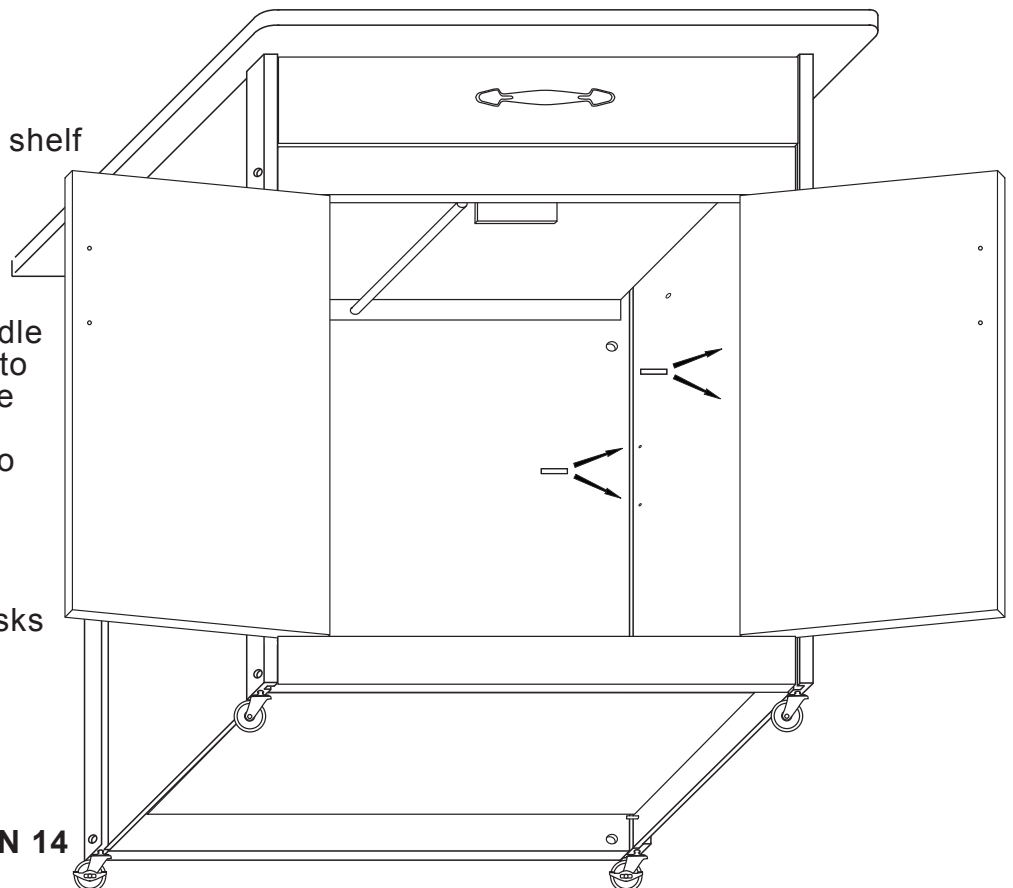


ILLUSTRATION 14



For continued beauty and long life of your Catskill Craftsmen cart, we recommend Catskill Craftsmen's Butcher Block Oil.

If you would like to purchase Butcher Block Oil directly from Catskill Craftsmen's factory, we offer a reduced price. For one eight ounce (8 fl. oz.) bottle, which is sufficient for two applications, simply send \$6.95 along with the completed coupon to the address below. If you prefer to use MasterCard or Visa you may visit our website at www.catskillcraftsmen.com.



Catskill Craftsmen, Inc.
15 West End Ave.
Stamford, NY 12167-1296

CATSKILL
CRAFTSMEN, INC.
BUTCHER BLOCK OIL COUPON

Please send me _____ # of bottle(s) of the Catskill Craftsmen Butcher Block Oil at \$6.95. My Check or Money Order is enclosed for a total of \$ _____.

Item Code: 1536

NAME _____

ADDRESS _____

CITY _____

STATE _____ ZIP _____

Please make checks payable to: Catskill Craftsmen Inc.
15 West End Ave. Stamford, NY 12167-1296