

CATSKILL

C R A F T S M E N , I N C .

Assembly Instructions Model 1531

Promo Cuisine Cart V w/Backsplash/Knife Rack



GENERAL:

1. You have purchased model 1531. Overall dimensions of an assembled unit is 23 1/8" x 16" x 37"
2. Should you need assistance or need to replace a damaged or missing part, DO NOT RETURN THE UNIT TO THE STORE where you purchased it, simply give us a call at 607-652-7321 from 7:30 - 4:00 PM Eastern time and we'll send you the prepaid part via UPS usually that same day! Please have model number and part description ready when you call.
3. Read the assembly instructions and the enclosed brochure before beginning assembly. Assembly is very easy if you read and follow the instructions step by step.
4. Tools required: Phillips screwdrivers, medium and small; medium flat blade screwdriver and hammer.

CABINET PARTS

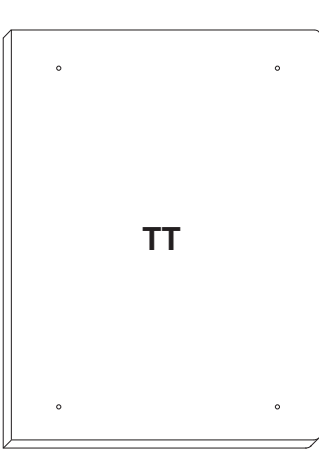
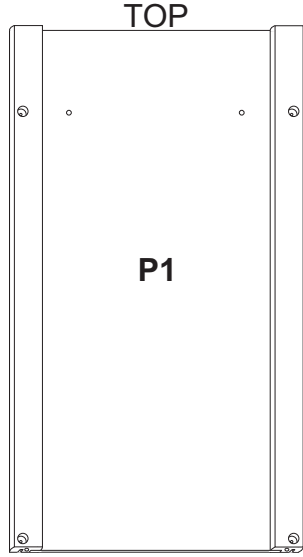
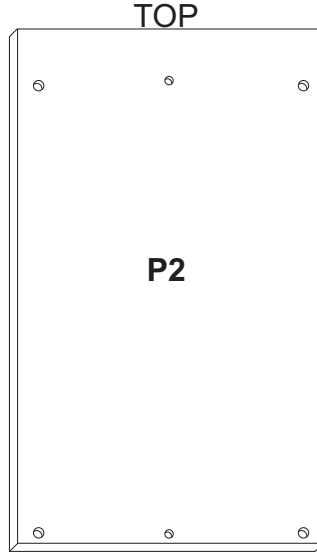


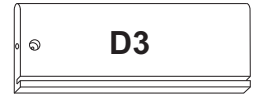
Table Top (1)
P/N: TT-1531



Side Panel (2)
P/N: SP-1531/HL



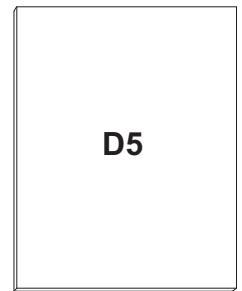
Back Panel (1)
P/N: BP-1531



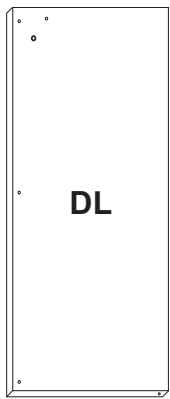
Drawer Side Left (1)
P/N: DS-1524/L



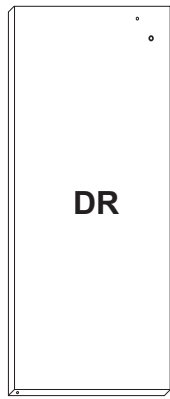
Drawer Side Right (1)
P/N: DS-1524/R



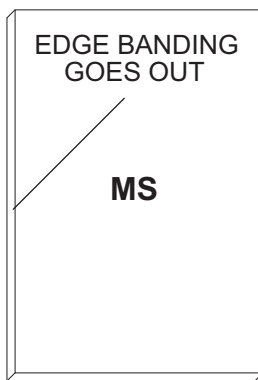
Drawer Bottom (1)
P/N: DB-1531



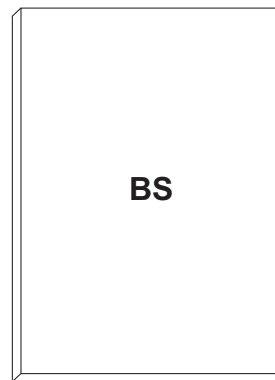
Left Door (1)
P/N: DOR-22 1/4L-1531



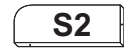
Right Door (1)
P/N: DOR-22 1/4R-1531



Middle Shelf (1)
P/N: MS-1531



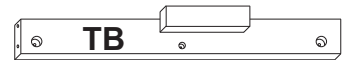
Bottom Shelf (1)
P/N: BS-1531



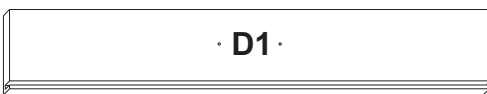
Side Splash (2)
P/N: BS-6-1531



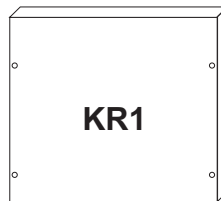
Drawer Dowel (1)
P/N: DDL-1531



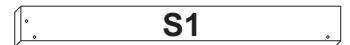
Top Brace (1)
P/N: B-17 1/2-TF-1531



Drawer Front (1)
P/N: DF-1531



Knife Rack Face (1)
P/N KR-1531



Back Splash (1)
P/N: BSP-1531



Door Spacer (1)
P/N: DOR-21 9/16-1531



Drawer Back (1)
P/N: DBK-1531



Knife Rack Side (2)
P/N KR-SIDE-1531



Bottom Brace (1)
P/N: B-17 1/2-BF-1531



Table Top Stick (2)
P/N: TTS-1531

HARDWARE



1 3/4" Phillips Flat Head Machine Screw (8)



Cam Posts (2)

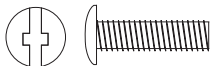


(4 are brass for the knife rack)

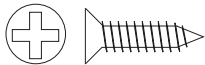
1 1/4" Phillips Flat Head #8 Screw (27)



1 1/4" Truss Head Machine Screw (2)



3/4" Truss Head Machine Screw (2)



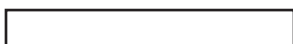
5/8" Phillips Flat Head #8 Screw (3)



3/4" Long 3/16" DIA. Steel Pin (4)



1" Long 3/16" DIA. Steel Pin (8)

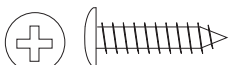


1 1/2" Long 3/16" DIA. Steel Pin (4)

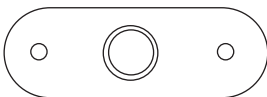
Magnet Pack



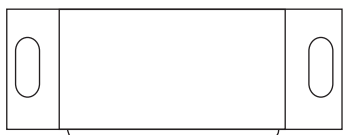
1/2" Phillips Flat Head #4 Screw (1)



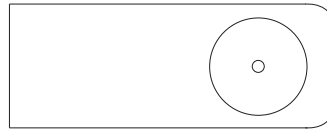
5/8" Pan Head Screw (2)



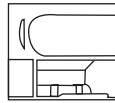
Magnet Plate (1)



Magnet (1)



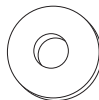
Towel Bar Post (2)



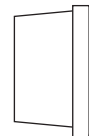
Cam (2)



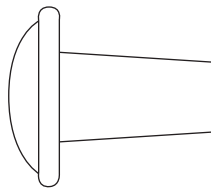
10-24 Hex Nut (8)



3/16" Flat Washer (6)



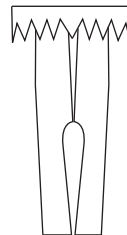
5/8 Wooden Disk (8)



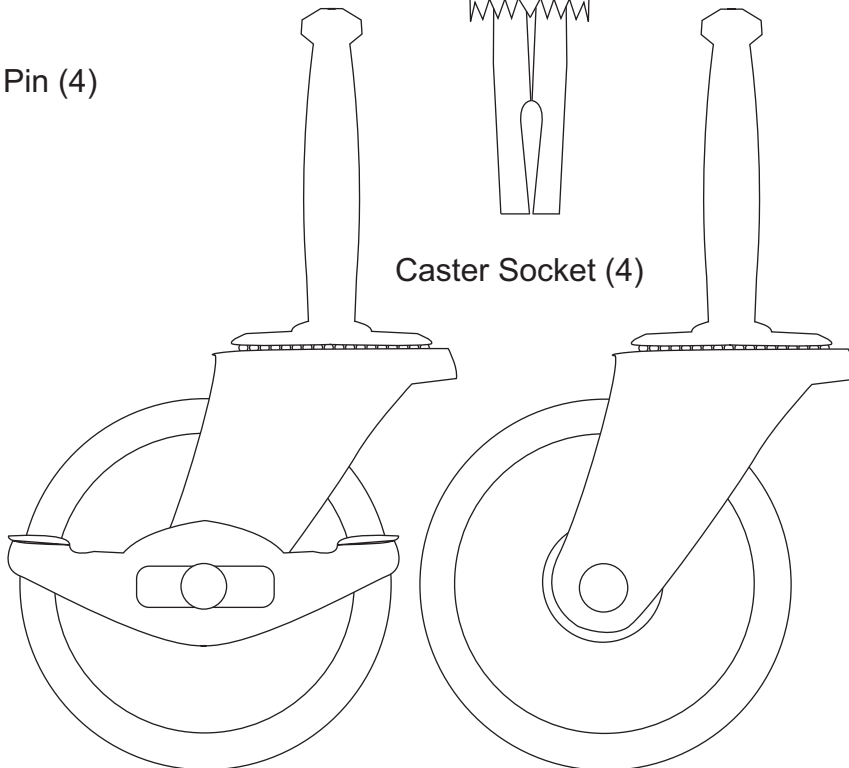
Oil Rubbed Bronze Door Knob (2)



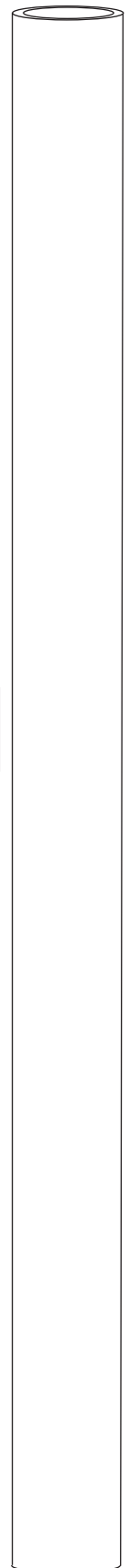
Oil Rubbed Bronze Drawer Handle (1)



Caster Socket (4)



Locking Wheel Caster (2) Non Locking Wheel Caster (2)



Towel Bar (1)

STEP 1

- A. Tap/insert ONE 1 1/2" pin into each end of both doors. DON'T OVERDRIVE PINS! pins should stick up about 1/2" when seated.
- B. Attach the doorspacer to the left door with 5/8" #8 screws. The spacer has a space at the top to allow magnet clearance and is almost flush with the bottom of the door.
- C. Attach the magnet plate (may be stuck to magnet!) with the small flat head screw to the top of the right door. Bumps toward wood.
- D. Attach door knobs with two 1 1/4" truss head machine screws.

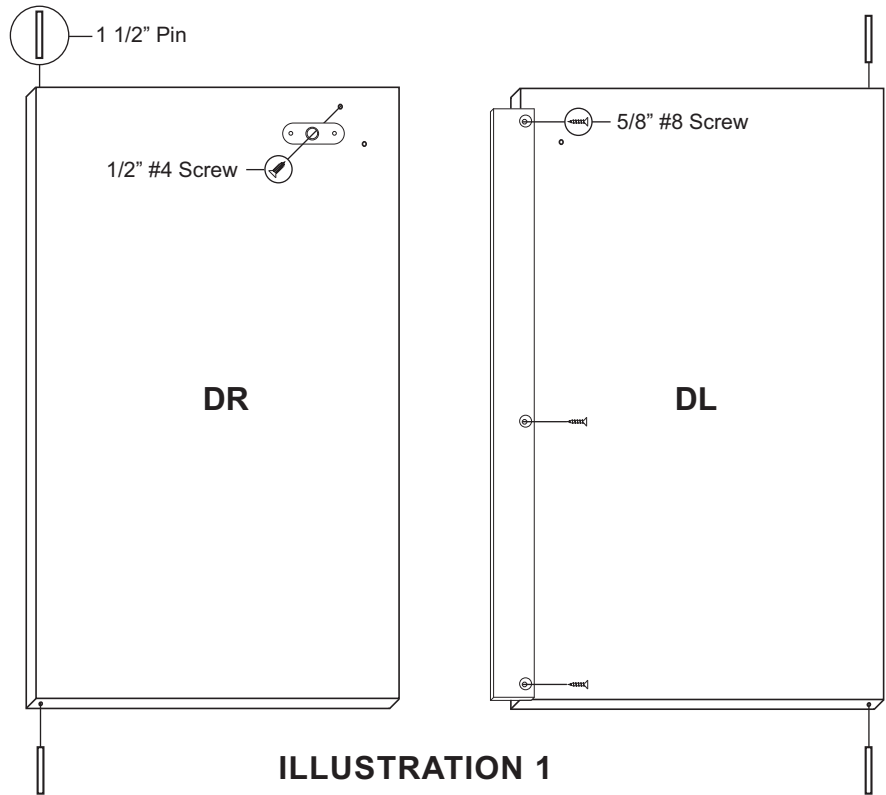

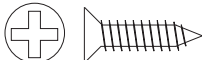

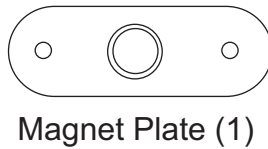


ILLUSTRATION 1

 4 used in this step
1 1/2" Long 3/16" DIA. Steel Pin (4)

 3 used in this step
5/8" Phillips Flat Head #8 Screw (3)


 2 used in this step
1 1/4" Truss Head Machine Screw (2)



 1 used in this step
1/2" Phillips Flat Head #4 Screw (1)

STEP 2

Take the 2 front braces and tap/insert one 3/4" steel pin into each end of both braces until seated. About 3/8" will stick out when seated. Ok if loose.

 4 used in this step
3/4" Long 3/16" DIA. Steel Pin (4)

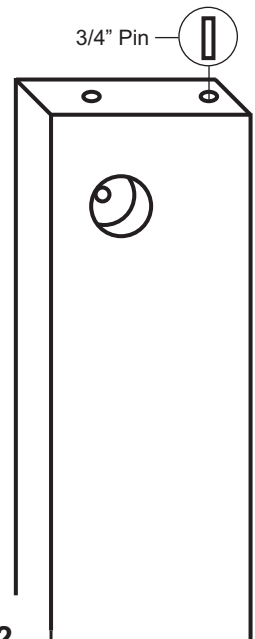


ILLUSTRATION 2

STEP 3

A. Attach the drawer back to the drawer sides with four 1 1/4" #8 screws. Make sure parts are aligned as in illustration 3A.

B. Insert drawer bottom into the slots in the drawer sides, best side to inside of drawer. Slide down until seated in the slot in the drawer back. See illustration 3B.

C. Screw the cam posts into the two outside holes on the inside face of the drawer front until seated. Only 3/8" of this post goes into the wood, leaving the 4 guide rings/head exposed. See illustration 3C.

D. Insert the posts into holes in the drawer side until seated against the front ends of the drawer sides. Insert cams so that slot in the cam fits over the post and turn with Phillips screwdriver until seated. Don't over-torque! See illustration 3D.

E. Attach drawer handle with the two 3/4" Truss Head Machine screws (no illustration).

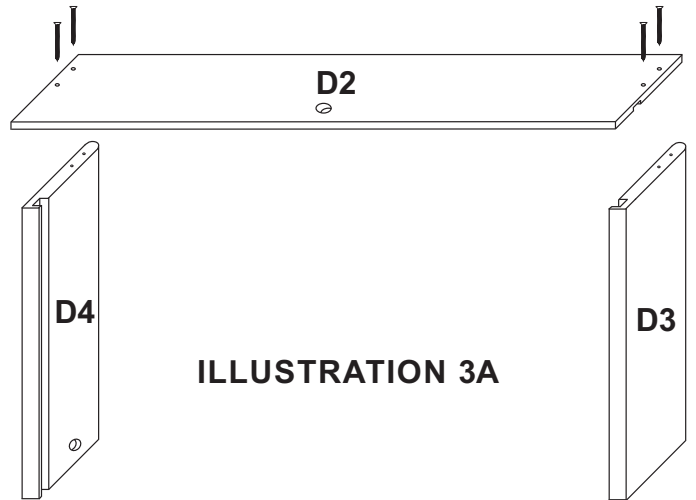


ILLUSTRATION 3A

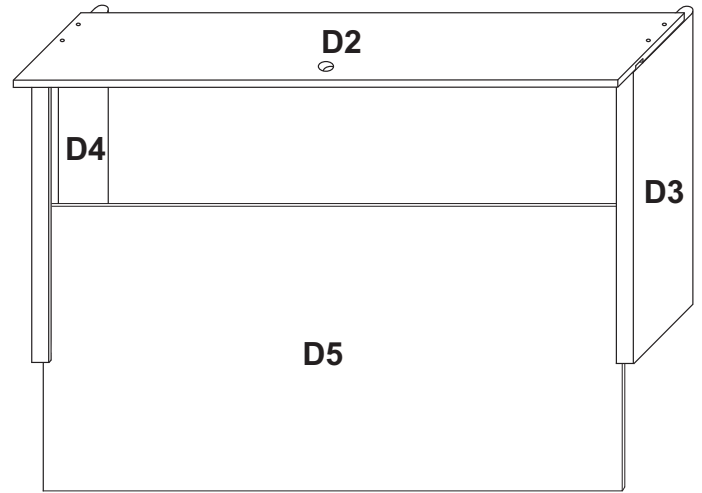


ILLUSTRATION 3B

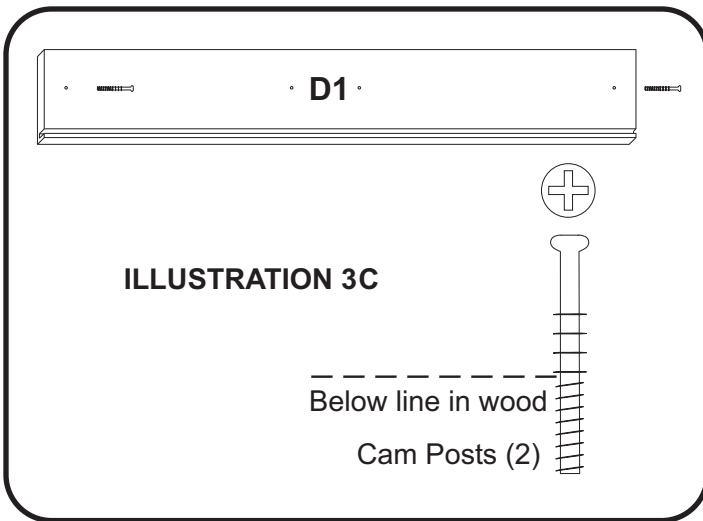


ILLUSTRATION 3C

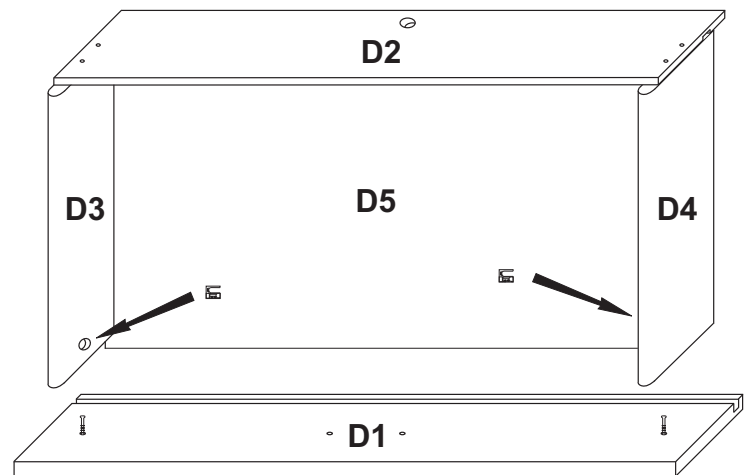
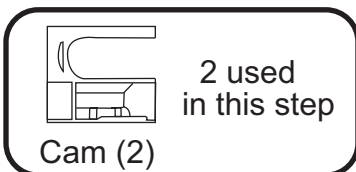
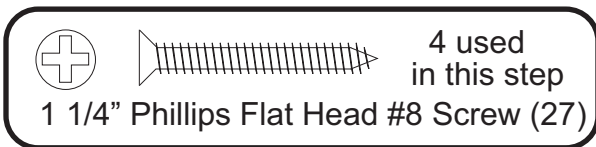




ILLUSTRATION 3D

STEP 4

Attach a table top stick to the top of each side panel using 1 1/4" #8 screws. The countersunk holes (reamed out) in the stick are positioned as in illustration 4. Sticks should be flush with top of panel.

  4 Used in this step
1 1/4" Phillips Flat Head #8 Screw (27)

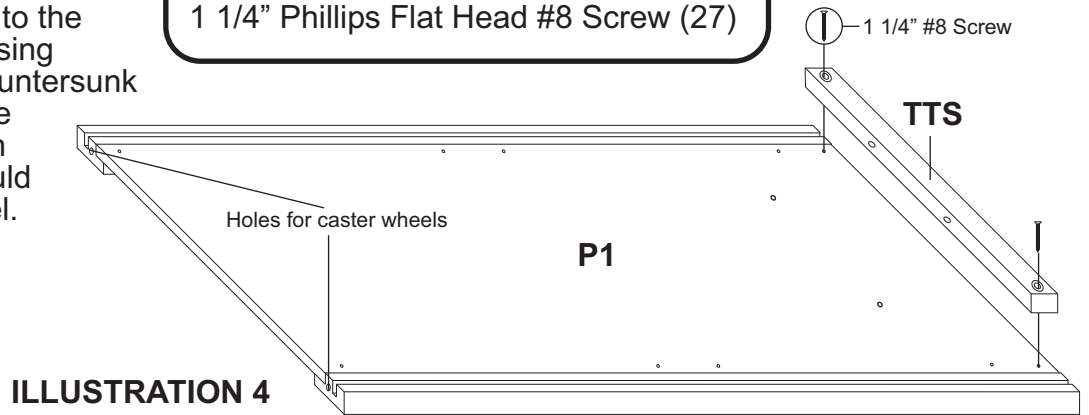





ILLUSTRATION 4

STEP 5

A. Lay back panel flat on a smooth surface with holes up.
B. Attach side panels with 1 3/4" machine screws (bolts) and hex nuts. After inserting bolts(s) thru the holes in the side panels, thru the holes in the long edges of the back panel, place a hex nut on the tip of your finger, align nut with bolt and tighten.
C. Look ahead to step 7 which shows side panels attached to back panel.

  4 Used in this step
1 3/4" Phillips Flat Head Bolt (8)

 4 Used in this step
10-24 Hex Nut (8)

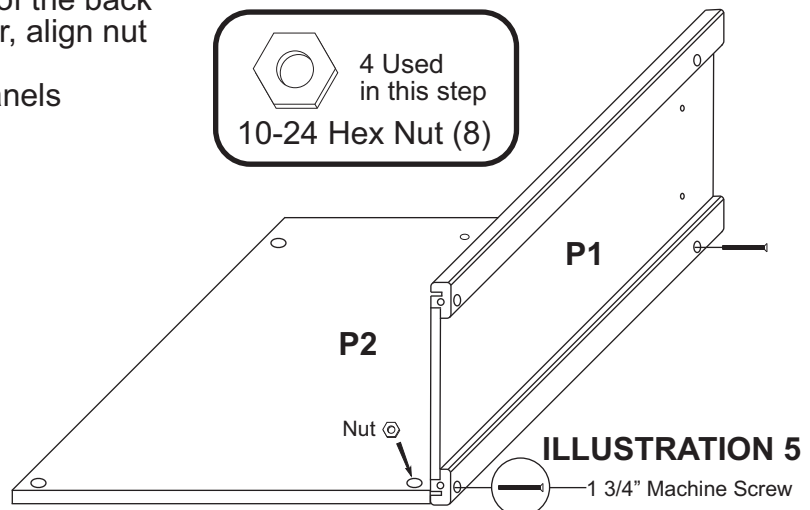


ILLUSTRATION 5

STEP 6

STEPS 6 - 14 WILL BE ACCOMPLISHED WITH THE UNIT TOP UPSIDE DOWN (INVERTED), BUILDING UPWARD TOWARD THE BOTTOM/CASTER END! BE CAREFUL AS PART DESCRIPTIONS ARE BASED ON AN UPRIGHT, COMPLETED UNIT!

A. Invert Table Top on a smooth flat surface and make a large (X) mark over each of the 4 pilot holes in the bottom. Make marks about 1 1/2" long. These marks will help you align the cabinet with the pilot holes.

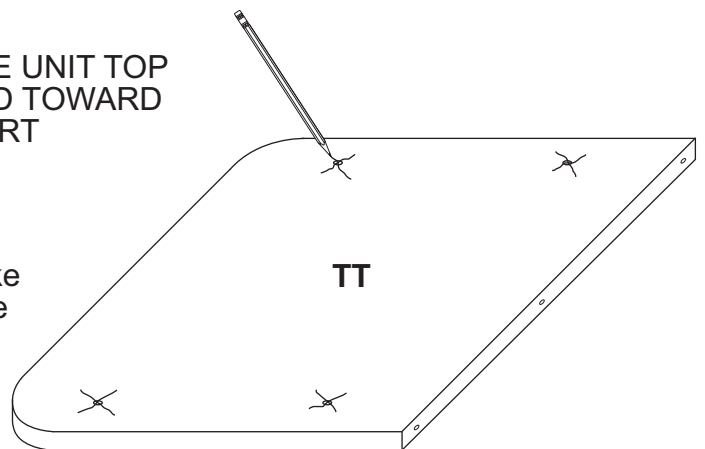


ILLUSTRATION 6

STEP 7

A. Turn the side/back assembly (from step 5) upside down (invert) on top of the inverted table top.

B. Drop two 1 1/4" # 8 screws into the holes in each of the table top sticks.

C. Using the (X) marks from step 6 as a guide, insert the tips of the screws into the pilot holes in the unit top and finger tighten. When all 4 screws are properly aligned, tighten down.

D. Tap two 1" pins into each side panel. These pins will hold the bottom shelf. See illustration7

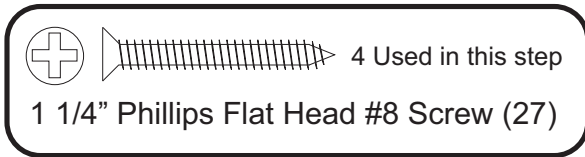
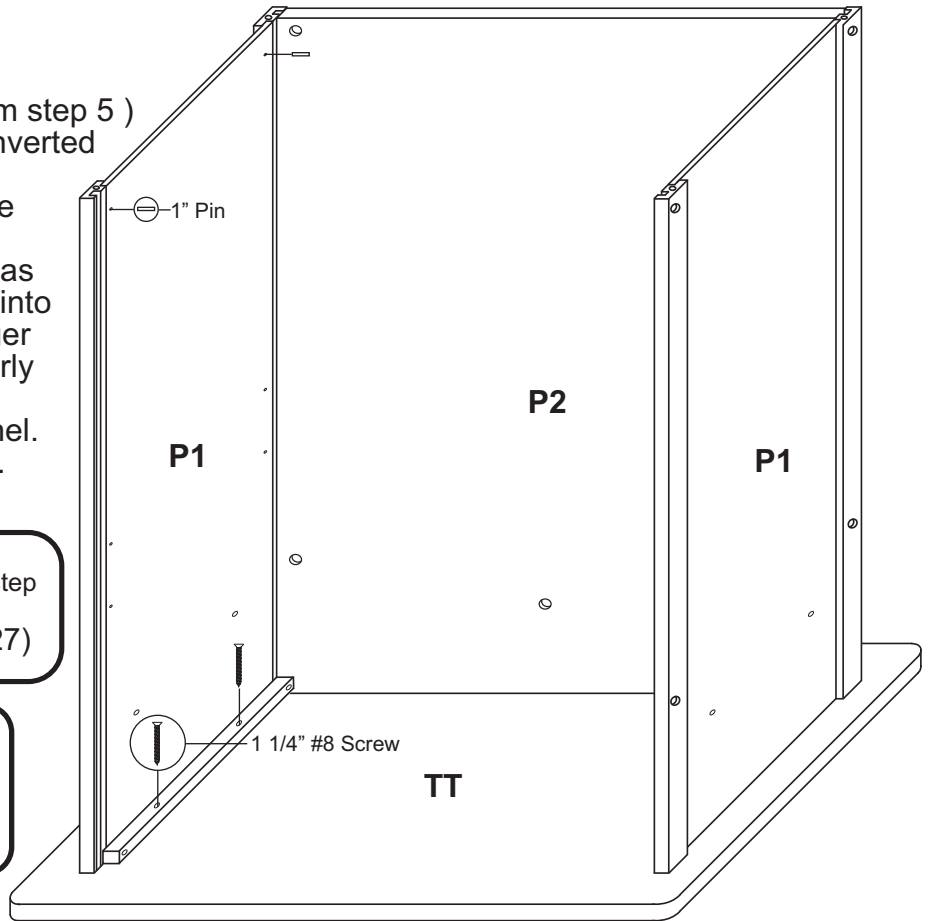


ILLUSTRATION 7



STEP 8

A. Take Drawer, insert the Drawer Dowel thru the hole in the Drawer Back, invert Drawer and place in cabinet cavity. Insert/turn Drawer Dowel into the 1/2' dia. hole in the back panel.

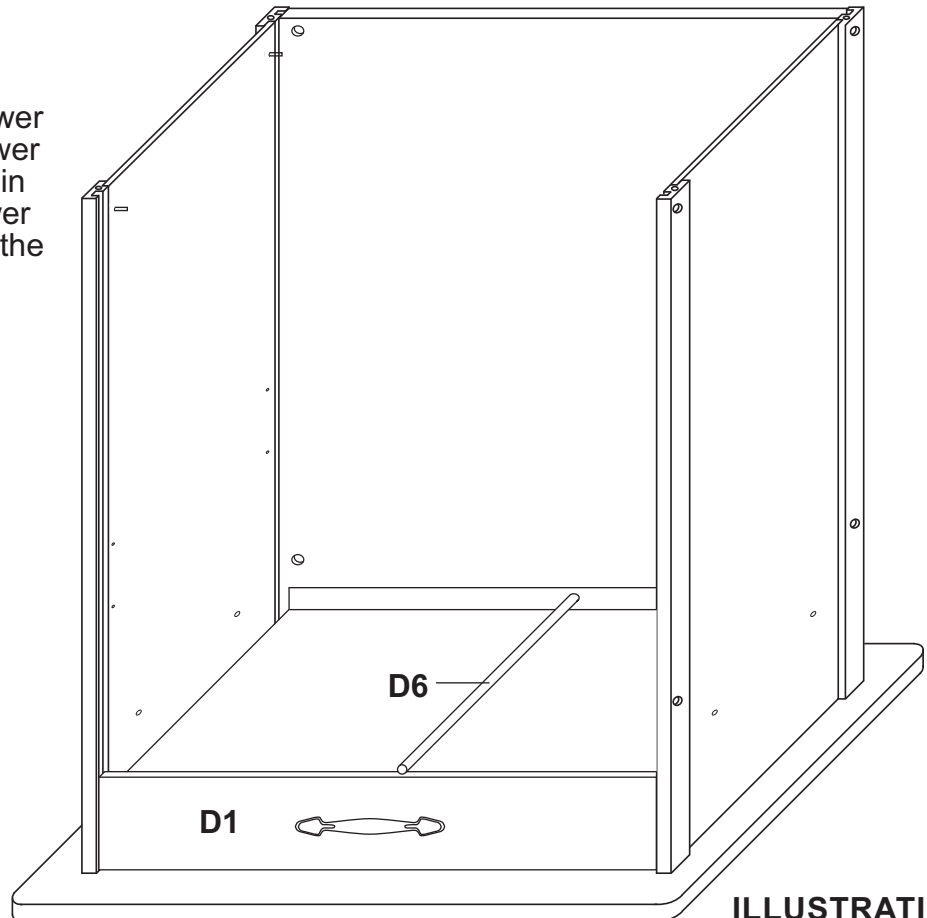


ILLUSTRATION 8

STEP 9

A. Take the top front brace (with magnet block), insert the pins in the brace ends into the slots on the inside of the front legs and slide down until the brace rests on the bottom of the drawer front. The pin holes for the door pins will be up.

B. Twist drawer dowel into the 1/2" dia. hole on the inside of the brace under the magnet block.

C. BEFORE securing brace with 1 3/4" machine screws/hex nuts, raise brace approximately 1/8" before tightening (or use a couple of dull kitchen knives as spacers between the brace and the top edge of the drawer front.) This will allow the drawer to open easily when unit is uprighted.

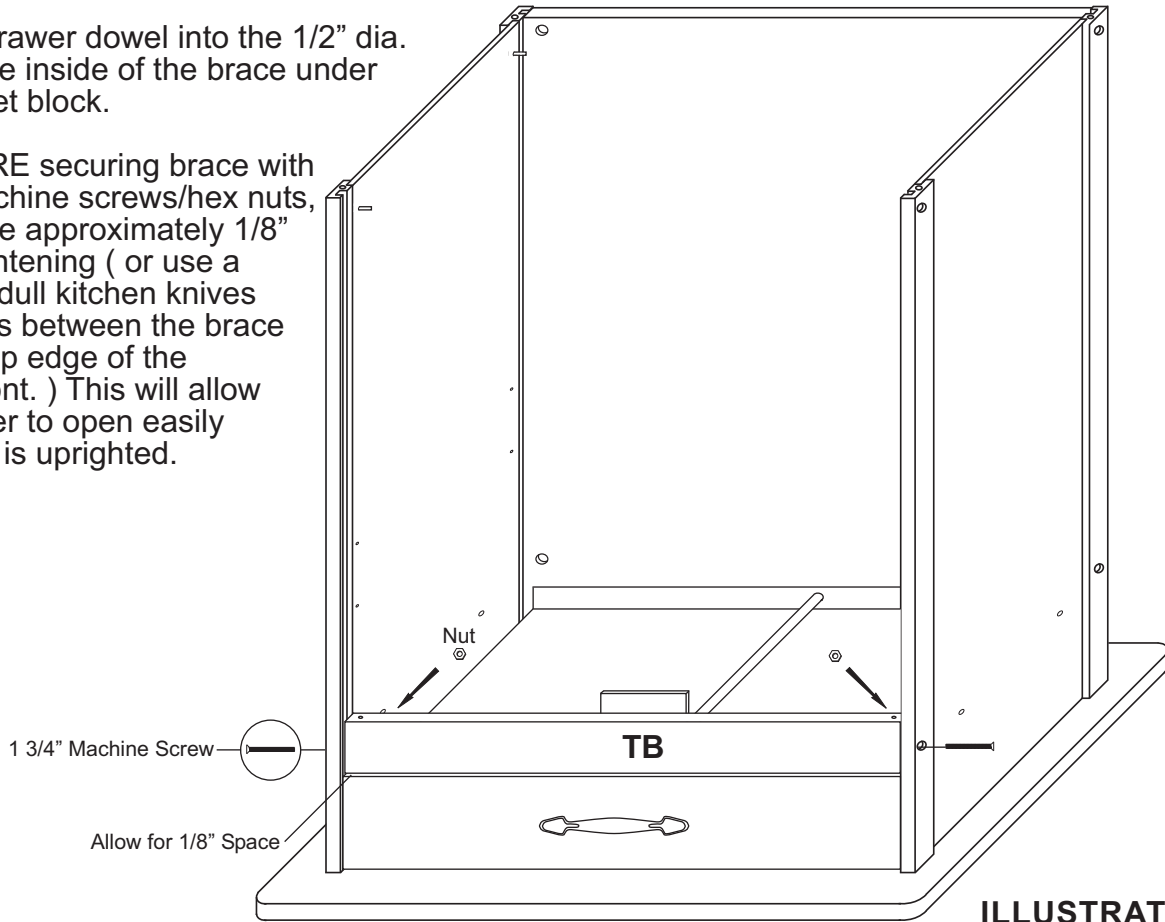


ILLUSTRATION 9A

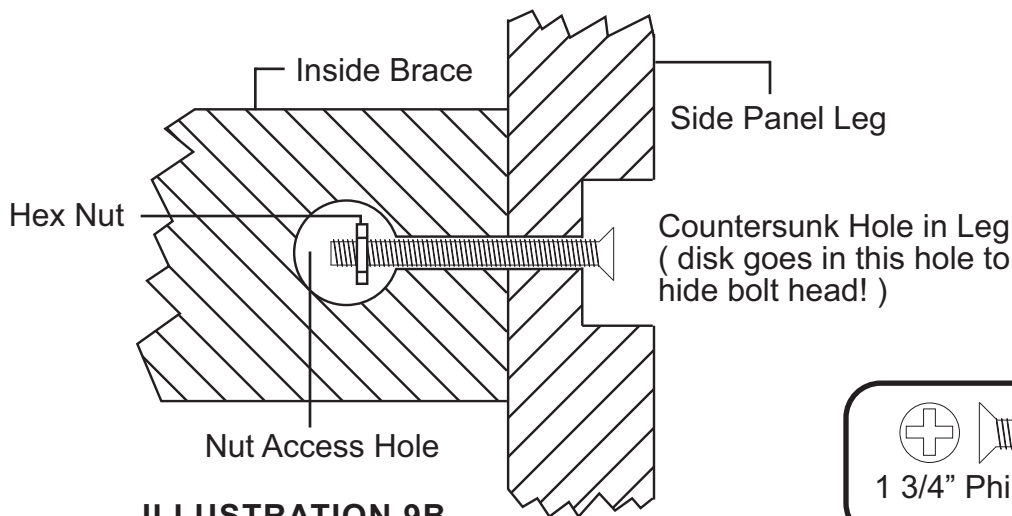
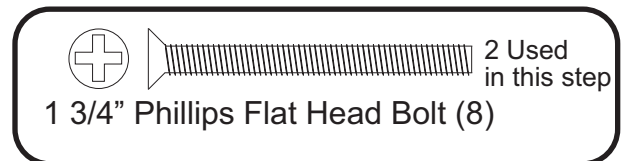
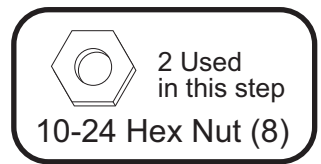
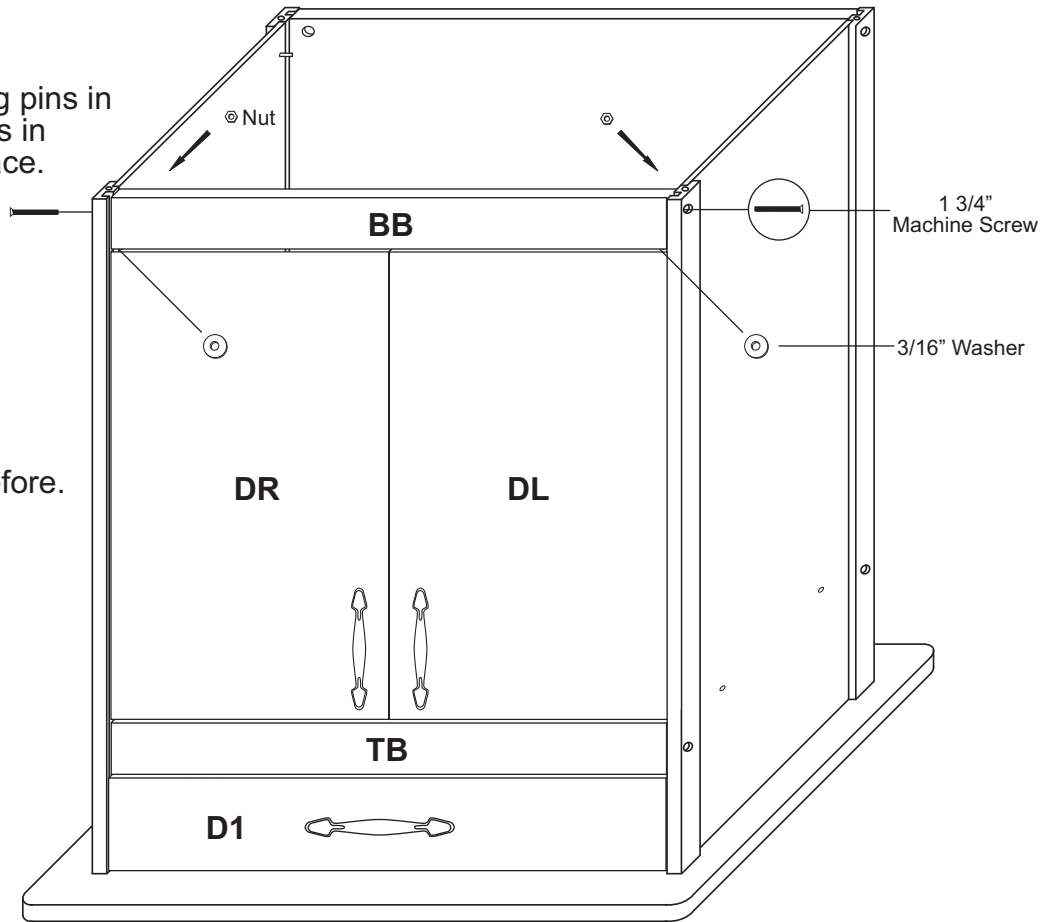



ILLUSTRATION 9B



STEP 10


- A. Install doors by inserting pins in the door tops into the holes in the long edge top front brace.
- B. Place one washer on each of the door pins in the door bottoms.
- C. Take the bottom front brace, align pins in door bottoms with holes along top long edge of brace (are washers on pins ?) and secure brace with 1 3/4" bolts/hex nuts as before.

2 Used in this step
10-24 Hex Nut (8)



2 Used in this step
3/16" Flat Washer (6)



2 Used in this step
1 3/4" Phillips Flat Head Bolt (8)

ILLUSTRATION 12

STEP 11

- A. Stick magnet to magnet plate on right door.
- B. With left door open, close the right door. The magnet should be positioned over the wooden block on the bottom of the top front brace. Hold the magnet in place with your thumb, and open the right door. The magnet will be in the correct position on the block.
- C. Secure magnet with the two round head screws in the magnet packet. Center screws in the slot in the magnet . This will allow adjustment later, if needed.

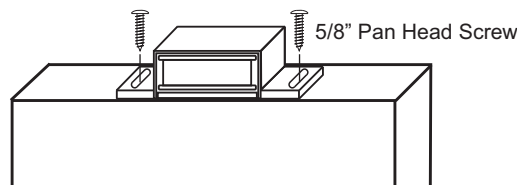

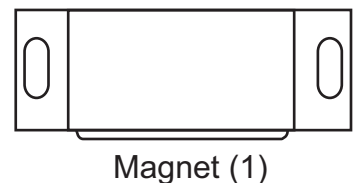
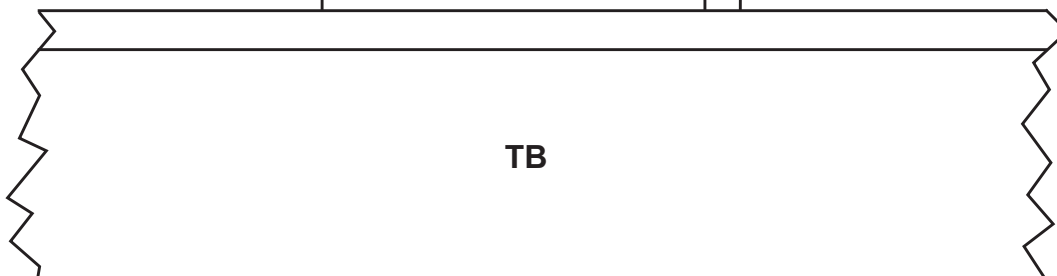


ILLUSTRATION 13



2 Used in this step
5/8" Pan Head Screw (2)



STEP 12

A. Insert and tap caster sockets with hammer until the teeth grab the wood. **DON'T POUND SOCKET FLAT OR CASTER SHAFT WILL NOT ENTER.**

B. Insert casters and seat by pushing straight downward with heel or your hand, or tap into place with a hammer. Don't be afraid to give them a good downward whack on the solid metal part of the caster!

C. Locking wheels usually go on back, but can go diagonally or on the front if cart is moved a lot.

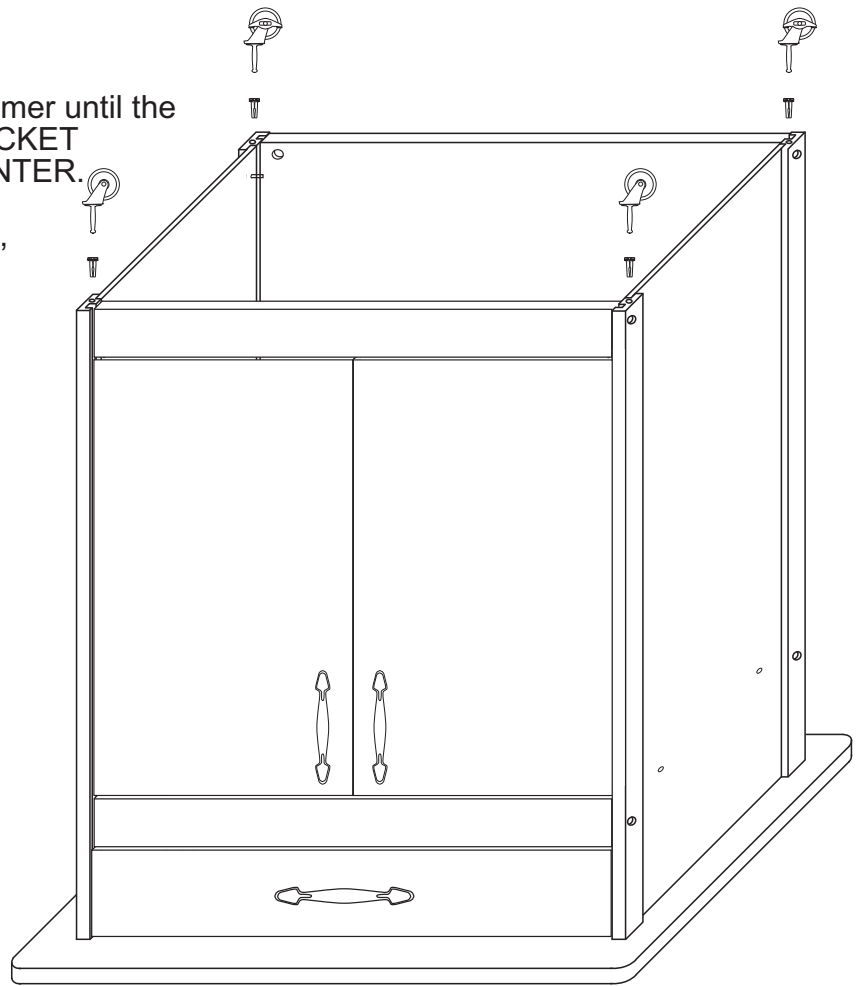


ILLUSTRATION 14

STEP 13

A. Upright Unit. Take bottom shelf (no edge banding) and place it on the set of back pins. Close doors and shelf will drop into place.

B. Decide on position of middle shelf, then tap two 1" pins into each side panel, making sure the pins on both sides are in the same relative position. To remove a pin, use pliers or claw hammer.

C. Place middle shelf, edge banding out, on pins.

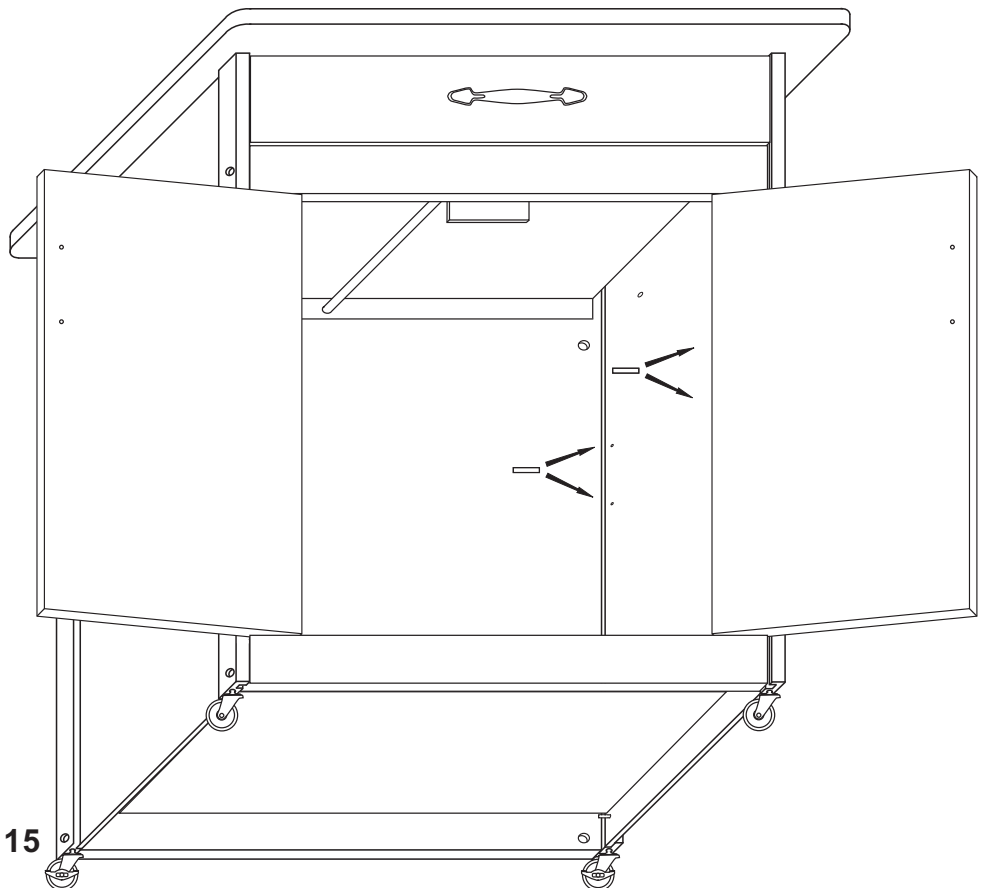


ILLUSTRATION 15

STEP 14

A. Attach the Back Splash to the back edge of the Table Top with 1 1/4" #8 Screws in three places as shown. Next, start one 1 1/4" #8 Screw through each upper hole in Back Splash into pilot holes on short flat edge of the BS-6 Side Splashes. Then take the 1 1/4" Screws, come up through the bottom of the Table BS-6, and when all screws are aligned in their respective pilot holes, tighten down.

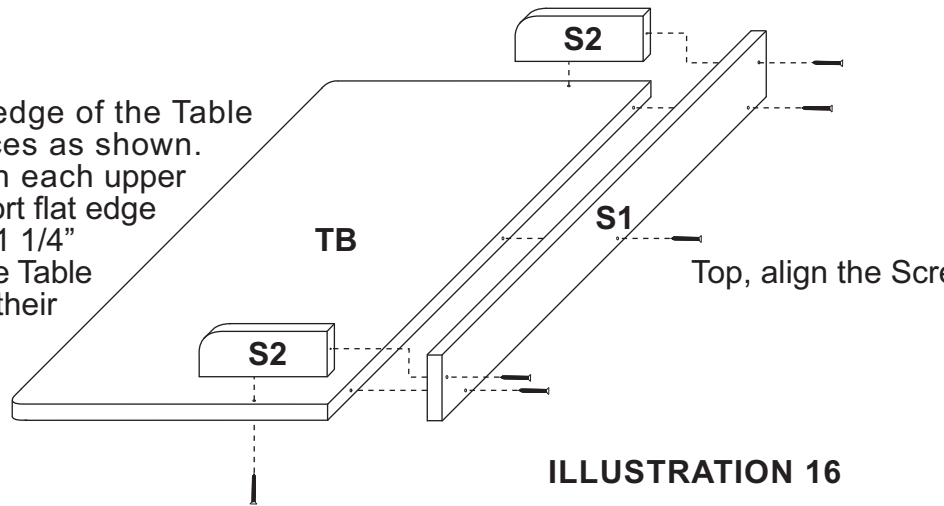


ILLUSTRATION 16



7 Used in this step

1 1/4" Phillips Flat Head #8 Screw (27)

STEP 15

A. Determine if you want the Towel Bar on the left or right Side Panel. The Knife Rack will go on the other. Then attach the Towel Bar to the Side Panel with two 1 1/4" x #8 screws from inside the panel. Place a washer over the screw so that so that the head won't pull through the side panel.



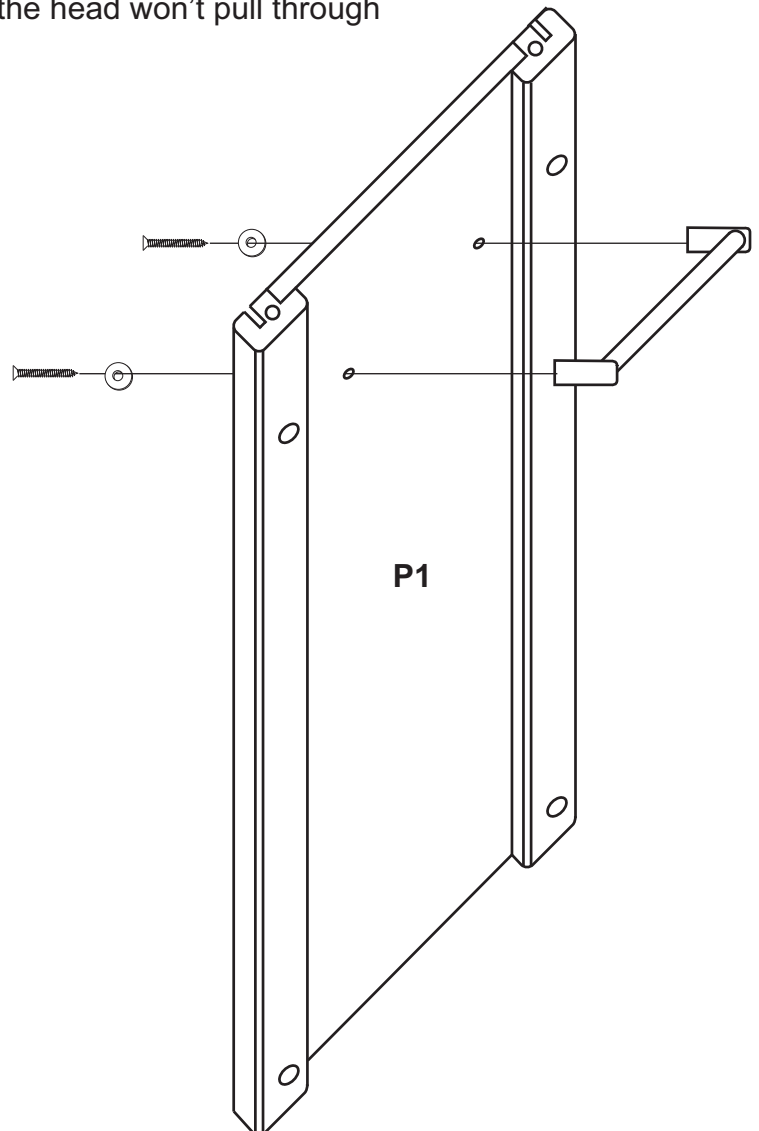
2 Used in this step

1 1/4" Phillips Flat Head #8 Screw (27)



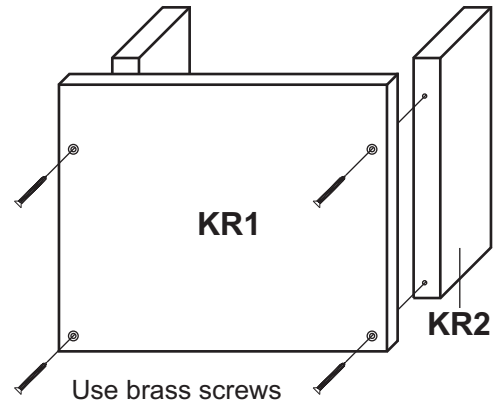
2 used in this step

3/16" Flat Washer (6)



STEP 16

A. Assemble Knife Rack by inserting four brass colored 1 1/4" #8 Screws through the countersunk (reamed out) holes in the Knife Rack into the pilot holes in the long edges of the Knife Rack Sides. Tighten until Seated. Sides will be flush with the bottom of the face leaving a space at the top.



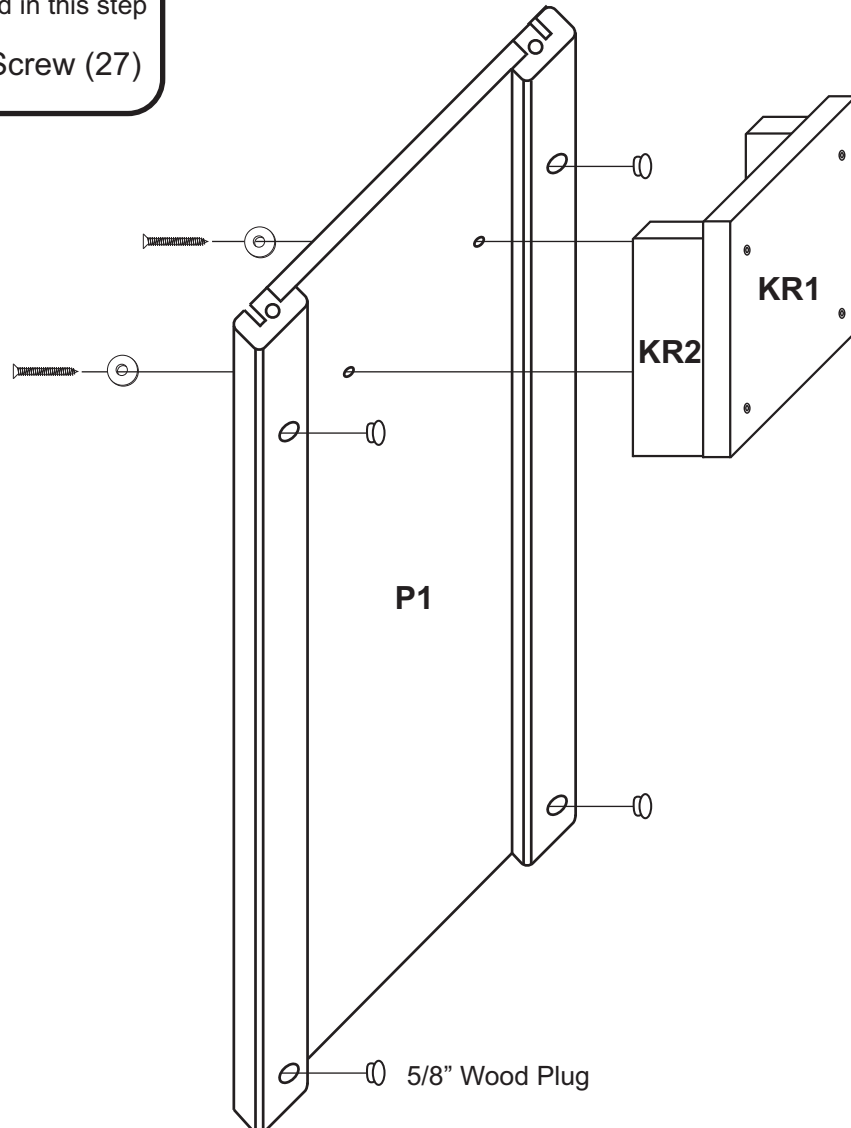
 4 Used in this step
1 1/4" Phillips Flat Head #8 Screw (27)

B. Attach Knife Rack to the other Side Panel with 1 1/4" #8 screws from inside the Side Panel. Place a washer over each screw.

C. Tap in the wood plugs in the holes in the Side Panel.

 2 Used in this step
1 1/4" Phillips Flat Head #8 Screw (27)

 2 used in this step
3/16" Flat Washer (6)





For continued beauty and long life of your Catskill Craftsmen cart, we recommend Catskill Craftsmen's Butcher Block Oil.

If you would like to purchase Butcher Block Oil directly from Catskill Craftsmen's factory, we offer a reduced price. For one eight ounce (8 fl. oz.) bottle, which is sufficient for two applications, simply send \$5.95 along with the completed coupon to the address below.



Catskill Craftsmen, Inc.
15 West End Ave.
Stamford, NY 12167-1296

CATSKILL
CRAFTSMEN, INC.

BUTCHER BLOCK OIL COUPON

Please send me _____ # of bottle(s) of the
Catskill Craftsmen Butcher Block Oil at \$5.95.
My Check or Money Order is enclosed for a
total of \$ _____.

Item Code: 1531

NAME _____

ADDRESS _____

CITY _____

STATE _____ ZIP _____

Please make checks payable to: Catskill Craftsmen Inc.
15 West End Ave. Stamford, NY 12167-1296